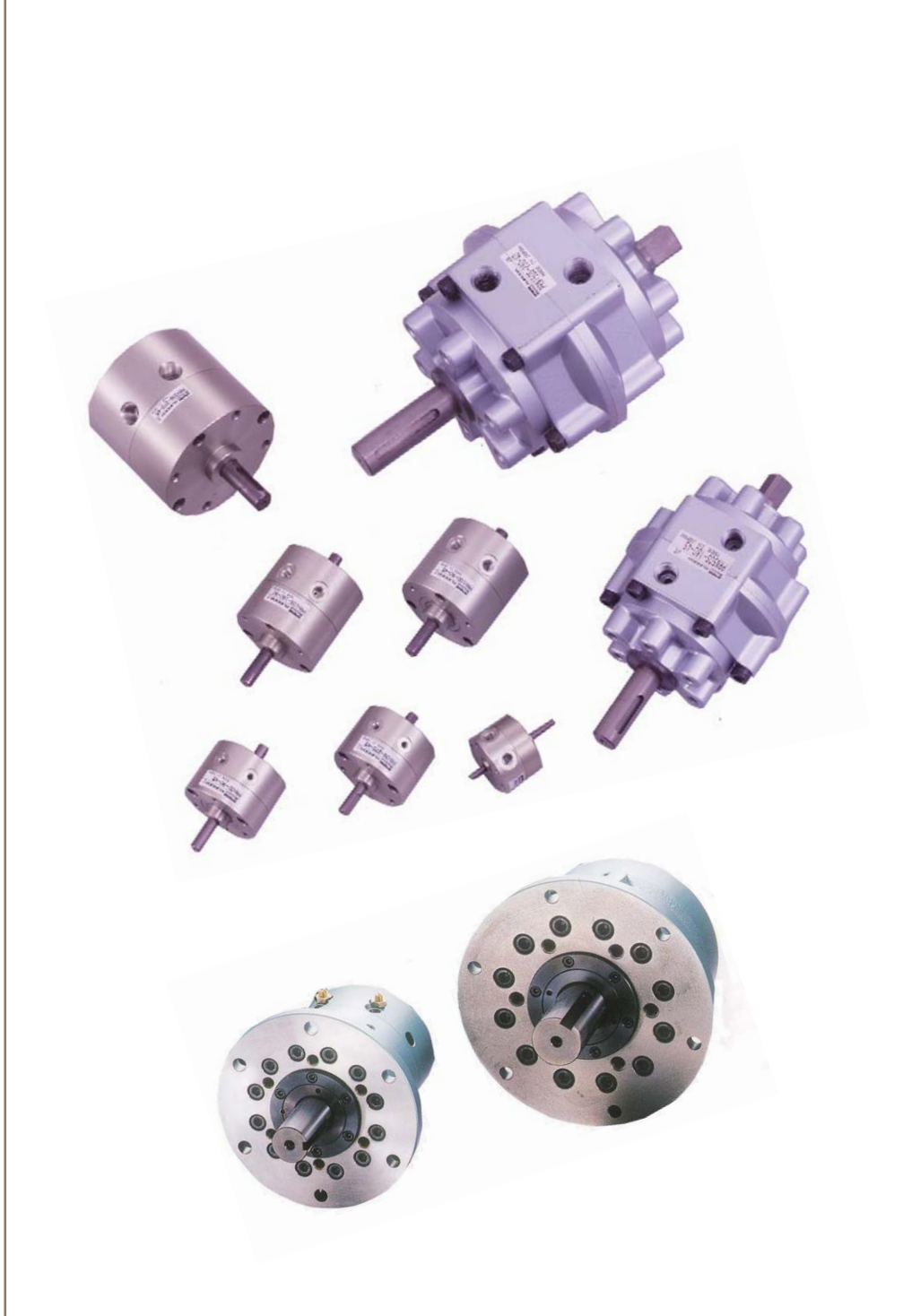


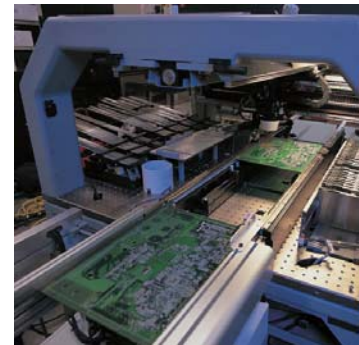


aerospace  
climate control  
electromechanical  
filtration  
fluid & gas handling  
hydraulics  
**pneumatics**  
process control  
sealing & shielding



# Vane Type Rotary Actuator

## Pneumatic HI-ROTOR



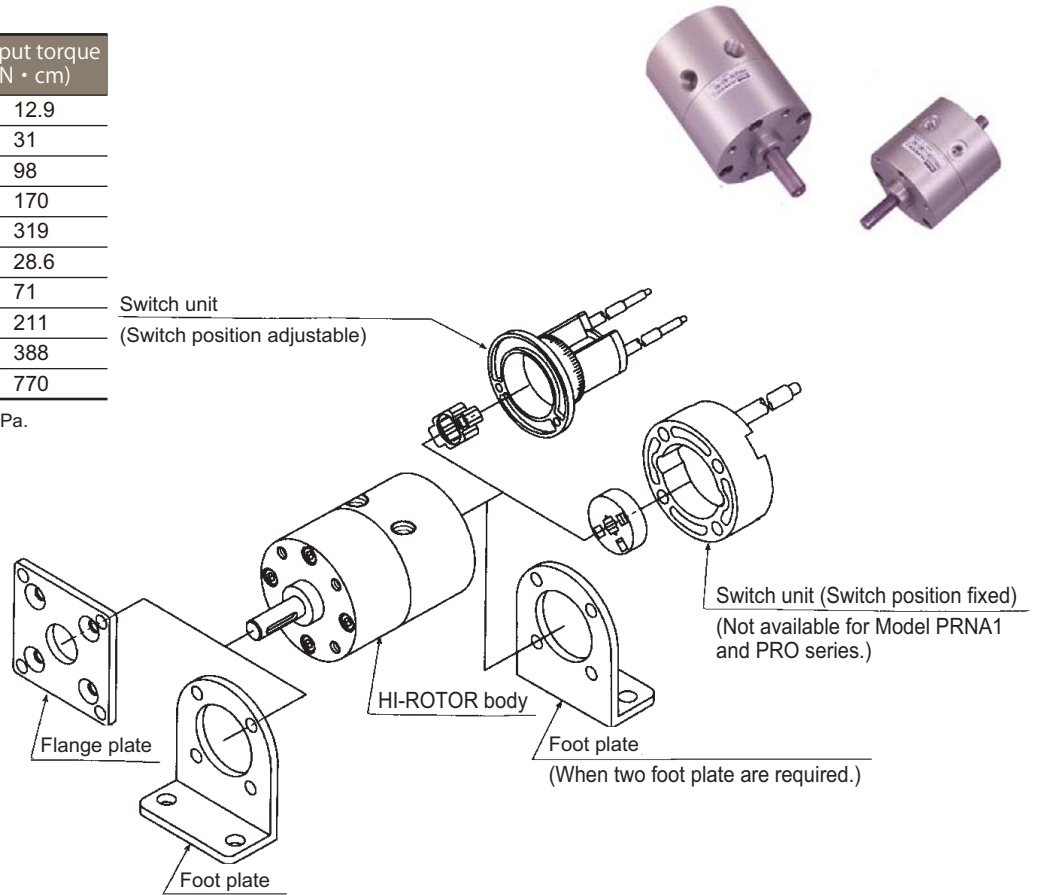
ENGINEERING YOUR SUCCESS.

# Miniature HI-ROTOR

# PRNA series

Vane type	Model No.	Output torque (N · cm)
Single vane	PRNA1S	12.9
	PRNA3S	31
	PRNA10S	98
	PRNA20S	170
	PRN30S	319
Double vane	PRNA1D	28.6
	PRNA3D	71
	PRNA10D	211
	PRNA20D	388
	PRN30D	770

(Note) Output torque is the value at 0.5 MPa.

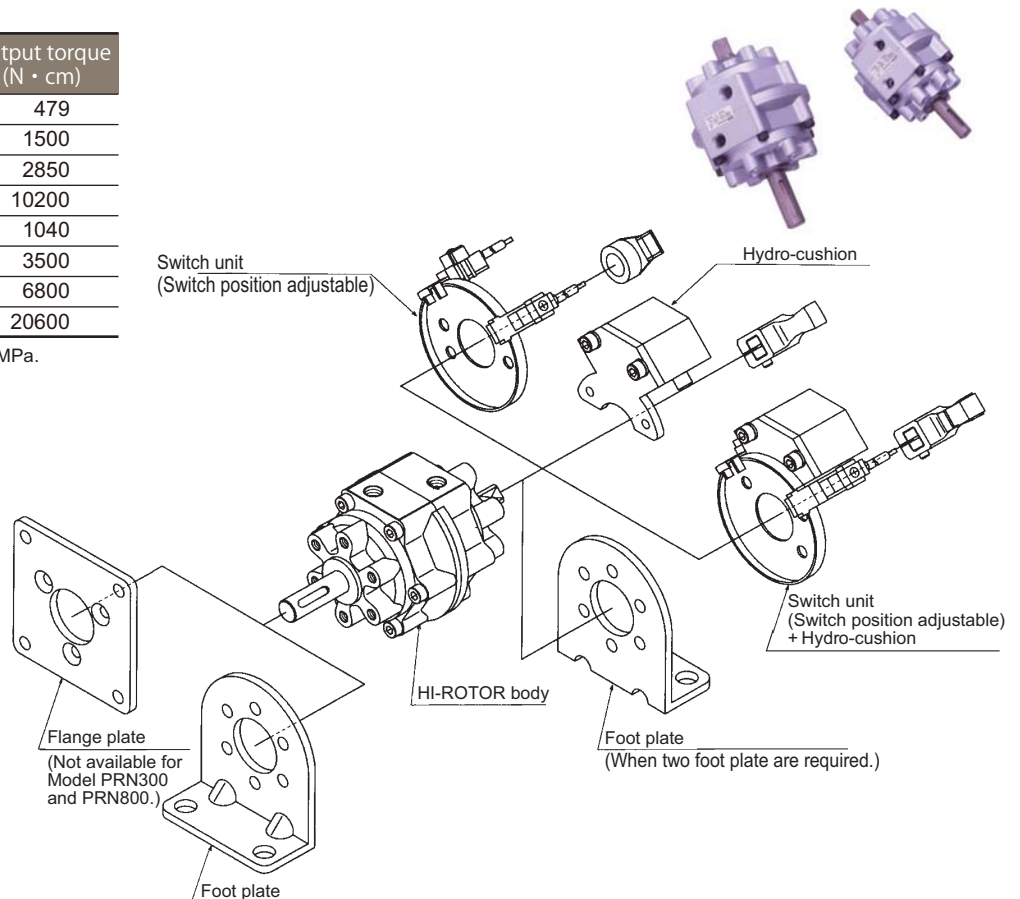


# HI-ROTOR

# PRN series

Vane type	Model No.	Output torque (N · cm)
Single vane	PRN50S	479
	PRN150S	1500
	PRN300S	2850
	PRN800S	10200
Double vane	PRN50D	1040
	PRN150D	3500
	PRN300D	6800
	PRN800D	20600

(Note) Output torque is the value at 0.5 MPa.



# Vane Type Rotary Actuator

## Pneumatic HI-ROTOR

### ■ Full series line-up

A full line of 1, 3, 10, 20, 30, 50, 150, 300, 800 is available. For PRNA1 and bigger models, single and double vane type (with double the effective torque) are available. For PRN50 and bigger models, a series of specially made cushion units (CRN) are available. In addition, there are HI-PAL HI-ROTORS of PRHA10 and bigger (incorporating solenoid valve).

### ■ Easy-to-use oscillating angle

Three oscillation reference points of 45° and 90° and five oscillating angles of 90°, 100°, 180°, 270° and 280° are featured. Oscillating angles that are frequently used are standardized for wide selection.

### ■ Durability to high temperature

Use of dry air dehumidified through an air dryer makes it possible to use HI-ROTOR within a surrounding temperature range of -5°C~80°C. (PRN:Usable at a maximum of 60°C)



### ■ Stable operation

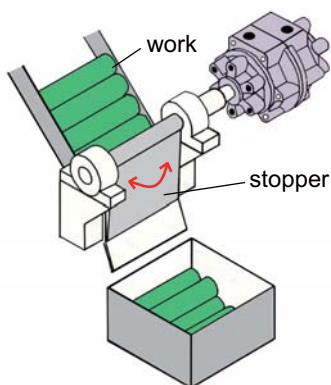
Uniquely designed sealing mechanism minimizes leakage, assuring low speed oscillating and stable, smooth operation at low pressures and speeds.

### ■ Outstanding durability

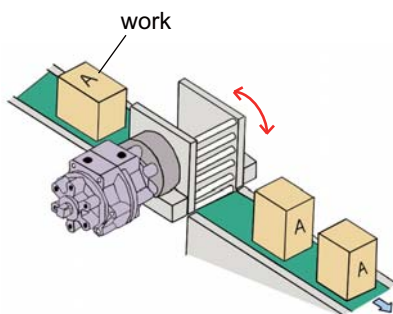
A solid vane shaft and built-in damper are combined with a unique sealing mechanism to assure outstanding durability. PRN50 and bigger models are capable of operating a greater load with the incorporation of a Hydro-cushion.

## Application

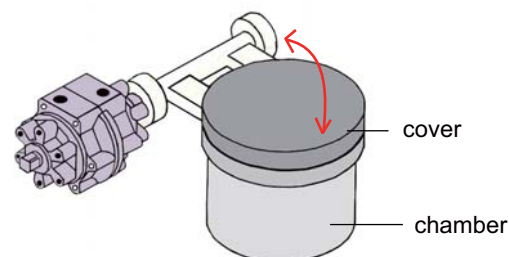
### Stopper



### Rotary motion



### Open & Close



# Full series line-up

## MINIATURE HI-ROTOR

Standard type  
**PRNA Series**

HI-PAL HI-ROTOR  
/With solenoid valve  
**PRHA Series**



Variable oscillating angle type  
**PROA Series**



**STEP HI-ROTOR**

Unique vane type oscillating actuator  
consisting of a combination of two  
HI-ROTORs designed for 2 and 3-step feeds.

**SH Series**



## HI-ROTOR

Standard type  
**PRN Series**



HI-PAL HI-ROTOR  
/With solenoid valve  
**PRH Series**



HYDRO-CUSHION  
Shock absorber for HI-ROTOR  
**CRN Series**



## Hydraulic

HYDRAULIC HI-ROTOR  
Hydraulic vane type rotary actuator

**HRN Series**



## Parker Worldwide - Asia Pacific Group -

**CN - China, Shanghai**  
Tel: +86 21 5031 2525

**CN - China, Beijing**  
Tel: +86 10 6561 0520

**CN - China, Guangzhou**  
Tel: +86 20 3878 1583

**HK - Hong Kong**  
Tel: +852 2428 8008

**IN - India, Mumbai**  
Tel: +91 22 6513 7081-85

**JP - Japan, Tokyo**  
Tel: +81 3 6408 3901

**KR - South Korea, Seoul**  
Tel: +82-31-379-2261

**MY - Malaysia, Shah Alam**  
Tel: +60 3 7849 0800

**SG - Singapore**  
Tel: +65 6887 6300

**TH - Thailand, Bangkok**  
Tel: +662 717 8140

**TW - Taiwan, Taipei**  
Tel: +886 2 2298 8987

- Contents of this catalogue is published on Mar, 2011
- Specification might be changed without notice for product improvement

## Kuroda Pneumatics LTD.

Tokyo Sales office      TEL 03-6430-6616  
Nagoya Sales office    TEL 052-769-6070  
Osaka Sales office      TEL 06-6395-4000

[www.parkerkuroda.com](http://www.parkerkuroda.com)