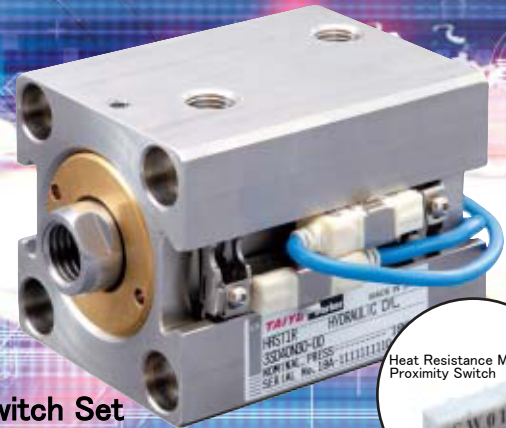


NEW Heat resisting compact hydraulic cylinder. **HRST1 Series**

New models are added to Compact Hydraulic Cylinder lineup featuring "high heat resistance"



Standard Type
MAX. 150°C



Switch Set
MAX. 130°C



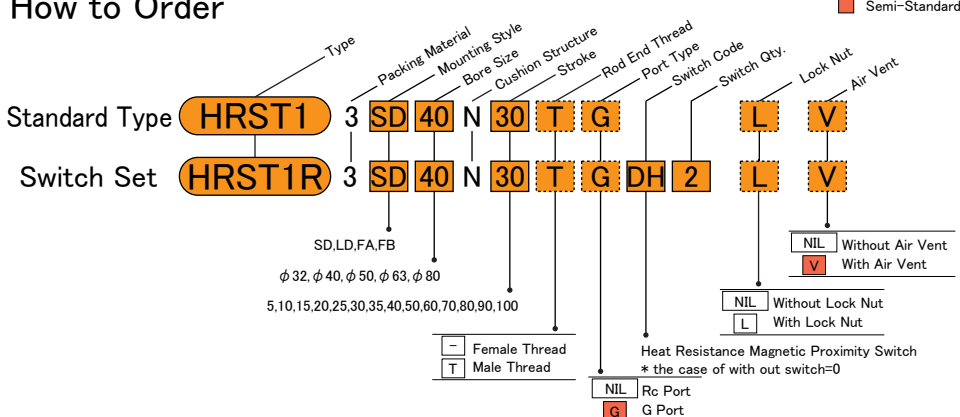
FEATURES

- Standard type can be used under ambient temperature up to 150 °C. And Switch Set type can be used with heat resisting switch(SW013) under ambient temperature up to 130 °C.
- Full line with various bore sizes (φ 32 to φ 80), and various mounting style such as Front Flange, Rear Flange, Foot, etc.
- Installation pitch is same to 160S-1 Series. (But total length +10mm)
- Gland bushing has been adopted the specific copper alloy, and seal material has been adopted the fluorinated seal.
- Suitable for resin molding, diecasting, and various casting machine.

Specification

Type	Standard Type	Switch Set
Series Variation	HRST1	HRST1R
Bore Sizes (mm)	φ 32 • φ 40 • φ 50 • φ 63 • φ 80	
Nominal Pressure	16MPa	
Proof Pressure	24MPa	
Min. Operation Pressure	0.3MPa	
Operating Speed Range	1~100mm/s	
Ambient Temperature	-10~+150°C	-10~+130°C
Cushion Structure	Without Cushion	
Working Fluid	Petroleum-based fluid • Phosphate Ester Fluid	
Packing Material	PTFE Sealing Ring + FKM O-Ring	
Mounting Style	SD • LD • FA • FB	

How to Order

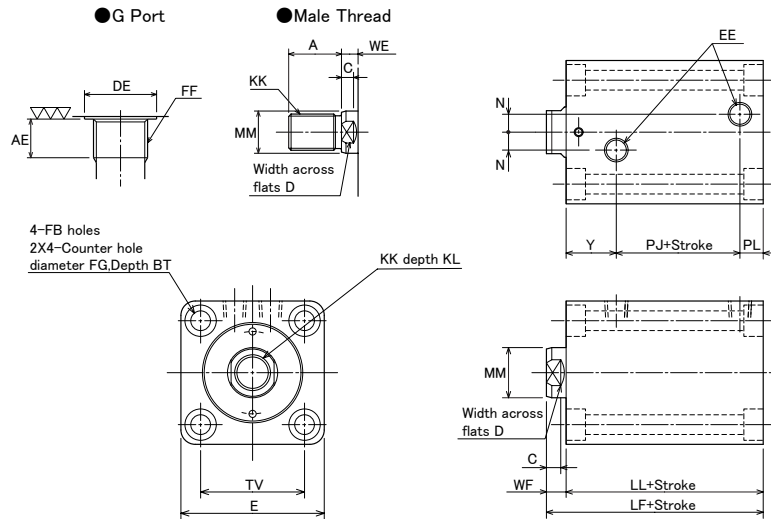


Heat Resistance Magnetic Proximity Switch

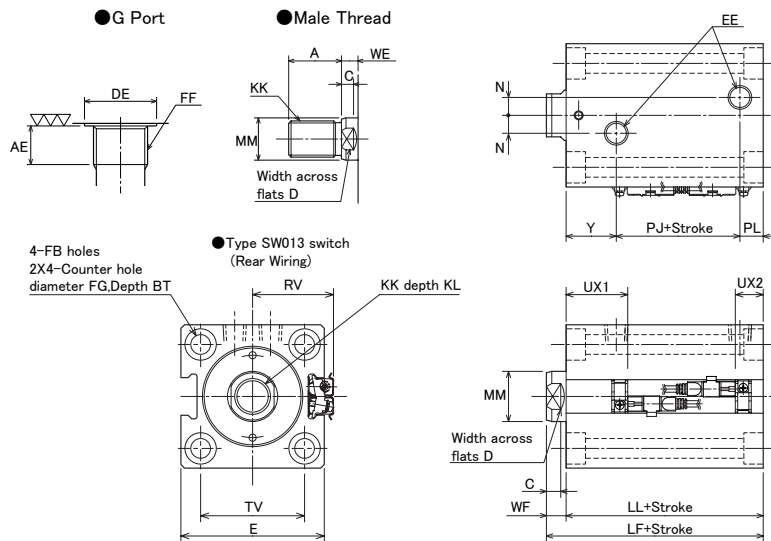


Switch Code	SW013
Load Voltage Range	AC120V or less DC30V or less
Load Current Range	AC20mA or less DC40mA or less
Max. Open/Close Capacity	AC2VA DC1.5W
Ambient Temperature	-10~+130°C
Wiring Method	0.3mm ² 2-Wires Dia. φ 3.9
Protective Circuit	Heat Resisting Silicon Carbide Cord IP67(IEC Standard) JIS C0920(Dust & Water Resistance)
Indicating Lamp	Without Lamp

HRST1 (Standard Type)



HRST1R (Switch Set)



Dimension Table

CD Bore	A	AE	BT	C	D	DE	E	EE	FB	FF	FG	KK		KL	LF
												Female Thread	Male Thread		
φ 32	25(40)	8	6.5	7	14	φ 17.2	□62	Rc1/4	φ 6.6	G1/8	φ 11	M12 × 1.75	M16 × 1.5	15	74
φ 40	30(45)	8	8.6	7	19	φ 17.2	□70	Rc1/4	φ 9	G1/8	φ 14	M16 × 2	M20 × 1.5	20	75
φ 50	35(50)	12	10.8	8	24	φ 21.5	□80	Rc1/4	φ 11	G1/4	φ 17.5	M20 × 2.5	M24 × 1.5	24	81
φ 63	45(60)	12	13	9	30	φ 21.5	□94	Rc1/4	φ 14	G1/4	φ 20	M27 × 3	M30 × 1.5	33	90
φ 80	60(80)	12	15.2	14	41	φ 21.5	□144	Rc3/8	φ 16	G1/4	φ 23	M30 × 3.5	M39 × 1.5	36	105

CD Bore	LL	MM	N		PJ		PL		RV	TV	UX1	UX2	WF	Y	
			Rc Port	G Port	Rc Port	G Port	Rc Port	G Port						Rc Port	G Port
φ 32	64	φ 18	10	10	19	19	12	12	37	□47	29	17	10	33	33
φ 40	65	φ 22	10	10	26	26	12	12	41	□52	29	19	10	27	27
φ 50	70	φ 28	10	14	29	23.5	13	18.5	46	□58	31	22	11	28	28
φ 63	77	φ 36	10	16	34	30	13	17	53	□69	34	26	13	30	30
φ 80	88	φ 45	15	19	35	34	18	18	63	□86	39	31	17	35	36

Note) If you use Lock Nut, we recommend the dimension A of ().

TAIYO

