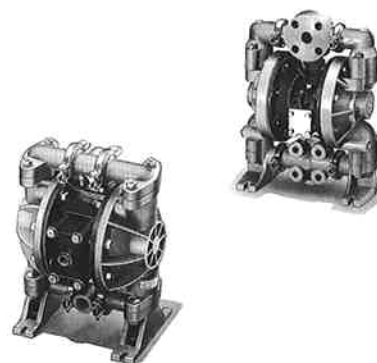


Air Operated Diaphragm Pump/Resin type

Most suitable diaphragm pump used for pressing mucilaginous fluid and acid & alkali liquid.

- Resin body diaphragm pump suitable for corrosive liquid
Such as acid,alkali.
- Freely adjustable piping direction
- Anti-explosion, fire-proof type.
- No overload.
- Easily regulate output volume.
- Designed as self-priming pump
- Mixed fluid with fiber particle or grain also can be pressed
(But please use duckbill-type or standard-type)



Specification

Check method	Type	Material			Max Output Volume L/min	Solid scope in the liquid	Pump Caliber (inhalation Exhalation)	Air joint caliber		Weight kg
		Pump body (joint parts)	Diaphragm	Check Parts				Air supplier	Exhaust	
Check ball	◎TD-15PT	Polypropylene	PTFE	PTFE	42	Below φ1.6mm	NPT1/2	NPT1/4	Built-in Silencer	3.4
	TD-15PC		chloroprene rubber	chloroprene rubber	49					
	TD-15PU		urethan rubber	urethan rubber	49					
	◎TD-15KT	Fluorin Vinylidene	PTFE	PTFE	42					
	TD-15KC		chloroprene rubber	chloroprene rubber	49					
	TD-15KU		urethan rubber	urethan rubber	49					
DACKBIL Type	TD-15PC-D	Polypropylene	chloroprene rubber	nitrile rubber	49	—			3.4	
Check ball Type	◎TD-25PT	Polypropylene	PTFE	PTFE	166	Below φ3.0mm	1"flange	NPT1/4	NPT3/8 w/silencer	9.2
	TD-25PC		chloroprene rubber	chloroprene rubber						
	TD-25PF		fluorin rubber	fluorin rubber						
	◎TD-25KT	Fluorin Vinylidene	PTFE	PTFE						ANSI 150#
	TD-25KC		chloroprene rubber	chloroprene rubber						
	TD-25KF		fluorin rubber	fluorin rubber						

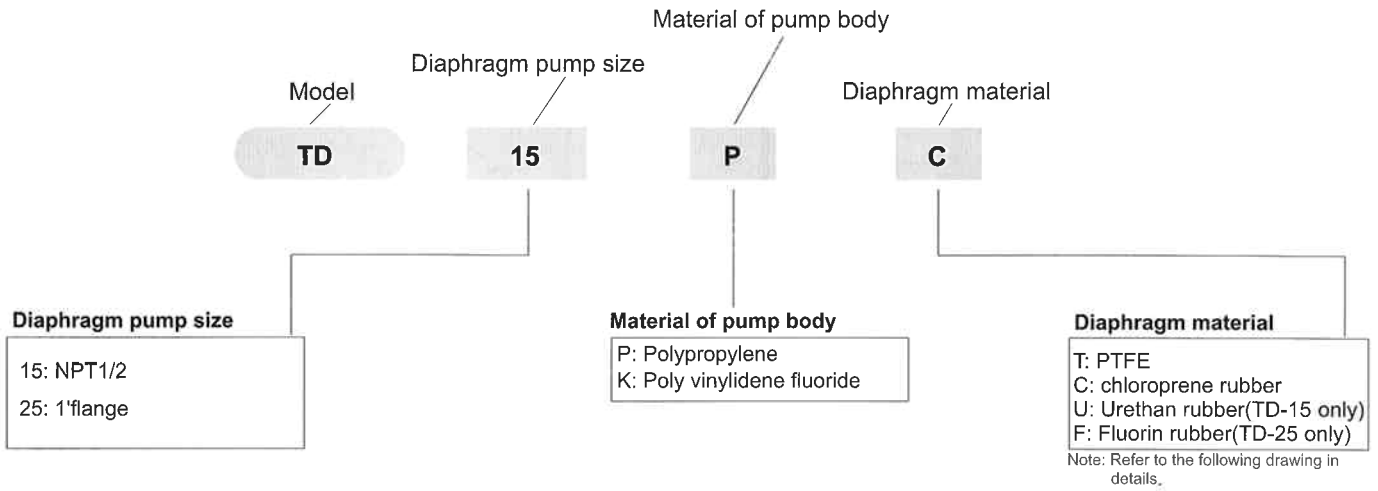
Note) • Marks' ◎ 'stand for standard products.

• Max output volume of clear water when usage air compress is 0.7 MPa, and discharge head is 0

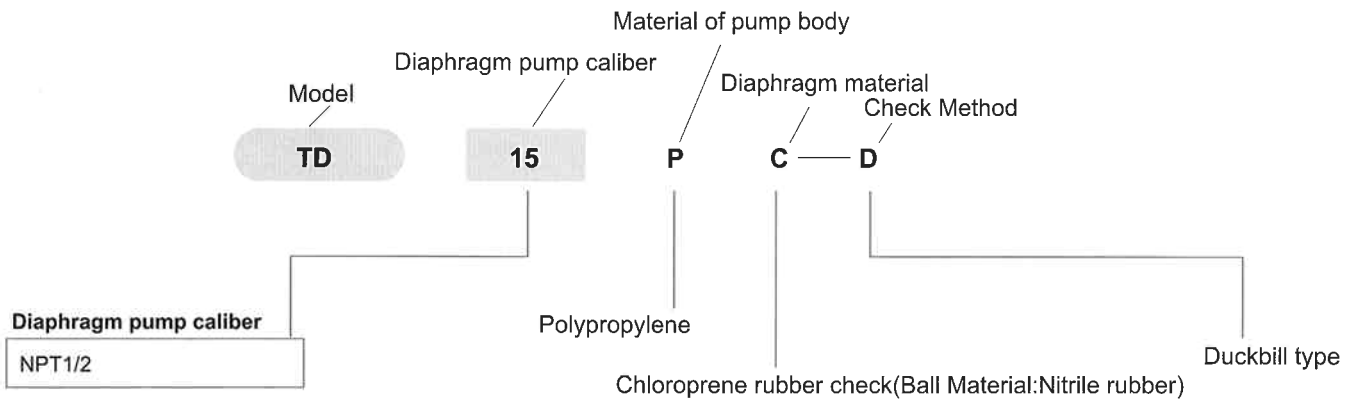
General Specification:

- Usage air pressure 0.2~0.7MPa.
- Highest usage viscosity 3000MPa · s.
- Max inhalation elevation height is 6m(clear water).
- Usage temperature scope: 0~+60°C(but no frozen).

Standard Specification



Duckbill type(semi-standard)



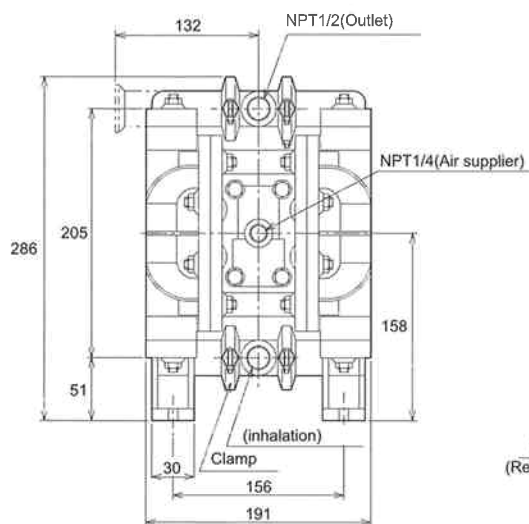
Diaphragm material list

	Diaphragm caliber	Material of pump body	Diaphragm material			
			PTFE	chloroprene rubber	urethan rubber	fluorin rubber
TD-15	NPT1/2	Polypropylene fluoride	⊙	○	○	—
		Poly Vinylidene	⊙	○	○	—
TD-25	1"flange (ANSISpec.)	Polypropylene fluoride	⊙	○	—	○
		Poly Vinylidene	⊙	○	—	○
Ball Material			PTFE	chloroprene rubber	urethan rubber	fluorin rubber

Notes)Mark' ⊙ 'stands for standard products, and mark' ○ 'stands for substandard.

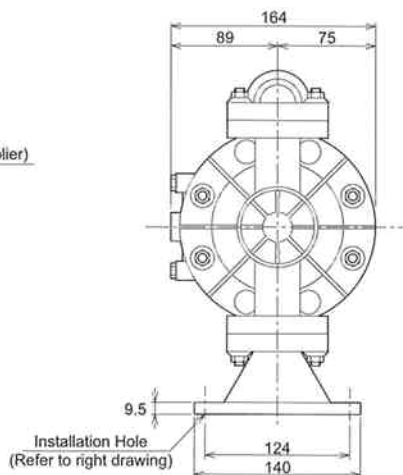
Air Operated Diaphragm Pump/Resin type

TD-15(Resin Type)

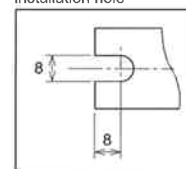


*Silencer is internal type.

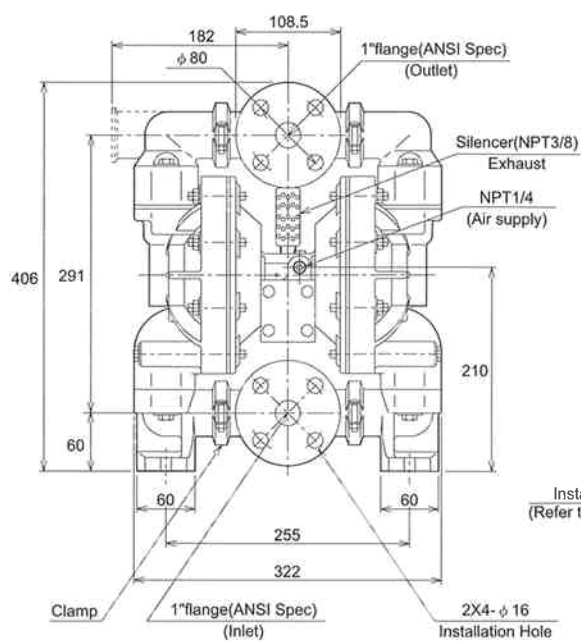
- When loose the clamp, you can change the direction of Inlet outlet.



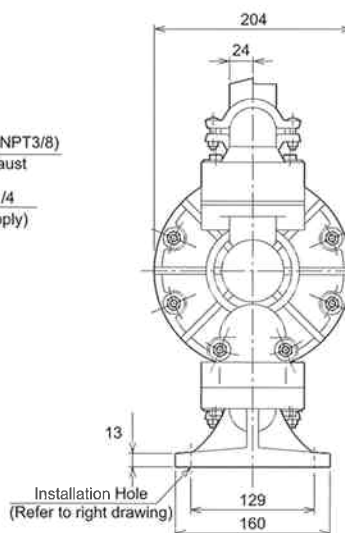
The detailed drawing of installation hole



TD-25(Resin Type)



- When loose the clamp, you can change the direction of exhalation & inhalation.



The detailed drawing of installation hole

