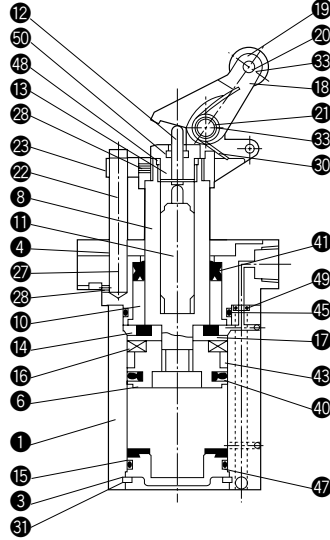
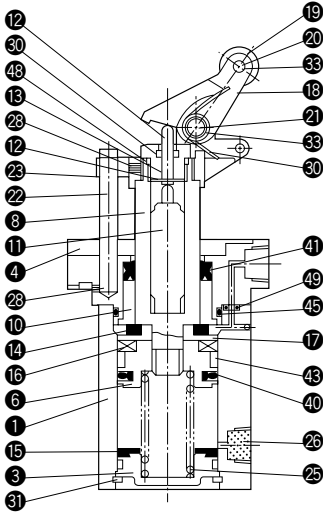


Pallet Stopper Cylinder / Lever Type / Bore  $\phi$  32 / Single-acting ; Double-acting

- Single-acting  
STS3-32-20S

- Double-acting  
STD3-32-20S



## Parts List

No .	Parts Name	Material	Qty.
①	Body	Alloyed aluminum	1
③	Bottom plate of body	Alloyed aluminum	1
④	Rod cover	Alloyed aluminum	1
⑥	Piston	Alloyed aluminum	1
⑧	Piston rod	Carbon steel for machine structure (hard chrome plated)	1
⑩	Gland bush	Alloyed aluminum (with anti-abrasion surface treated)	1
⑪	Shock absorber	—	1
⑫	Deflection angle rod	Carbon steel for machine structure (hard chrome plated)	1
⑬	Deflection angle bush	Carbon steel for machine structure	1
⑭	Cushion Pad	Urethane rubber	1
⑮	Cushion Pad	Urethane rubber	1
⑯	Magnet	—	1
⑰	Spacer	Alloyed aluminum	1
⑱	Roller lever	Carbon steel	1
⑲	Roller	Resin	2
⑳	Roller pin	Carbon steel for machine structure (hard chrome plated)	1
㉑	Lever pin	Carbon steel for machine structure (hard chrome plated)	1
㉒	Guide bar	Carbon steel for machine structure (hard chrome plated)	1
㉓	Lever bracket	Chrome molybdenum steel	1
㉕	Spring	Piano wire	1
㉖	Filter plug	—	1
㉗	Bolt with hexagonal hole	—	4
㉘	Set screw with hexagonal hole	—	2
㉚	Twist spring	Piano wire	1
㉛	Set ring	—	1
㉜	Set ring	—	4

## Packing List

No.	Parts Name	Material	Qty.	Parts code
				φ 32
④①	Piston packing	Nitride rubber	1	ZT32
④①	Rod packing	Nitride rubber	1	DRP20
④③	Wearing	Synthetic resin	1	for φ 32
④⑤	O-ring for rod cover	Nitride rubber	1	S32
④⑦	O-ring for body bottom plate	Nitride rubber	1	S29
④⑧	O-ring	Nitride rubber	1	S10
④⑨	O-ring	Nitride rubber	1 (2)	S5
⑤①	Scraper	Nitride rubber	1	SER-4
Packing set	Double-acting cylinder	—	1 set	Please consult for details.
	Single-acting cylinder			

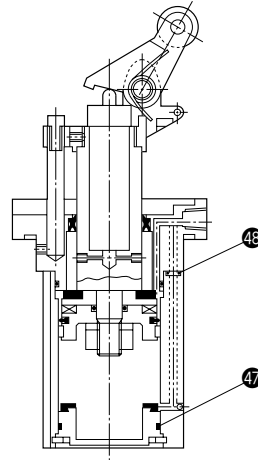
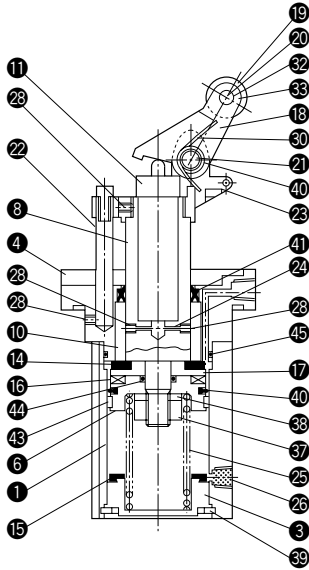
Note) ● Code for seals is subject to change.

● Value in ( ) is for double-acting style.

Pallet Stopper Cylinder / Lever Type / Bore  $\phi 50$  / Single-acting ; Double-acting

● Single-acting  
STS3-50-30S

● Double-acting  
STD3-50-30S



## Parts List

No .	Parts Name	Material	Qty.
①	Body	Alloyed aluminum	1
③	Bottom plate of body	Alloyed aluminum	1
④	Rod cover	Alloyed aluminum	1
⑥	Piston	Alloyed aluminum	1
⑧	Piston rod	Carbon steel for machine structure	1
⑩	Gland bush	Alloyed aluminum	1
⑪	Shock absorber	—	1
⑭	Cushion Pad	Urethane rubber	1
⑮	Cushion Pad	Urethane rubber	1
⑯	Magnet	—	1
⑰	Spacer	Alloyed aluminum	1
⑱	Roller lever	Carbon steel	1
⑲	Roller	Resin	2
⑳	Roller pin	Carbon steel for machine structure	1
㉑	Lever pin	Carbon steel for machine structure	1
㉒	Guide bar	Carbon steel for machine structure	1
㉓	Lever bracket	Chrome molybdenum steel	1
㉔	Parallel pin	—	1
㉕	Spring	Piano wire	1
㉖	Filter plug	—	1
㉘	Set screw with hexagonal hole	—	4
㉙	Set screw with hexagonal hole	—	1
㉚	Twist spring	Piano wire	1
㉛	Washer	Nylon	2
㉜	Set ring	—	2
㉞	Hexagonal nut	—	1
㉟	Plain washer	—	1
㊱	Set ring	—	1
㊲	Set ring	—	2
㊴	O-ring for piston rod	Nitride rubber	1

## Packing List

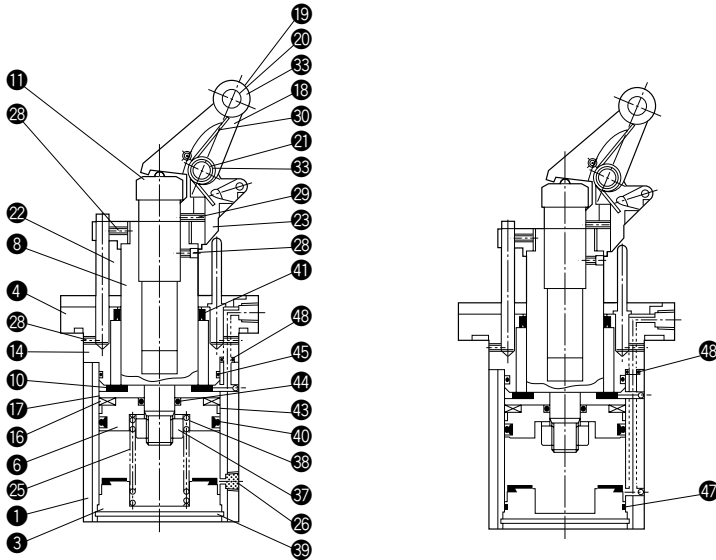
No.	Parts Name	Material	Qty.	Parts code
				φ 50
④①	Piston packing	Nitride rubber	1	ZT50
④②	Rod packing	Nitride rubber	1	PRD32
④③	Wearing	Synthetic resin	1	for φ 50
④⑤	O-ring for rod cover	Nitride rubber	1	S50
④⑦	O-ring for body bottom plate	Nitride rubber	1	S46
④⑧	O-ring	Nitride rubber	1	S5
Packing set	Double-acting cylinder Single-acting cylinder	—	1set	Please consult for details.

Note) • Code for seals is subject to change.

Pallet Stopper Cylinder / Lever Type / Bore  $\phi$  80 / Single-acting ; Double-acting

● Single-acting  
STS3-80-30S

● Double-acting  
STD3-80-30S



## Parts List

No .	Parts Name	Material	Qty.
①	Body	Alloyed aluminum	1
②	Bottom plate of body	Alloyed aluminum	1
④	Rod cover	Alloyed aluminum	1
⑥	Piston	Alloyed aluminum	1
⑧	Piston rod	Carbon steel for machine structure	1
⑩	Gland bush	Alloyed aluminum	1
⑪	Shock absorber	—	1
⑭	Cushion Pad	Urethane rubber	1
⑮	Cushion Pad	Urethane rubber	1
⑯	Magnet	—	1
⑰	Spacer	Alloyed aluminum	1
⑱	Roller lever	Carbon steel	1
⑲	Roller	Chrome molybdenum	2
⑳	Roller pin	Carbon steel for machine structure	1
㉑	Lever pin	Carbon steel for machine structure	1
㉒	Guide bar	Carbon steel for machine structure	1
㉓	Lever bracket	Chrome molybdenum steel	1
㉕	Spring	Piano wire	1
㉖	Filter plug	—	1
㉘	Set screw with hexagonal hole	—	4
㉙	Set screw with hexagonal hole	—	1
㉚	Twist spring	Piano wire	1
㉛	Set ring	—	4
㉜	Hexagonal nut	—	1
㉝	Plain washer	—	1
㉞	Set ring	—	1
㉟	O-ring for piston rod	Nitride rubber	1

## Packing List

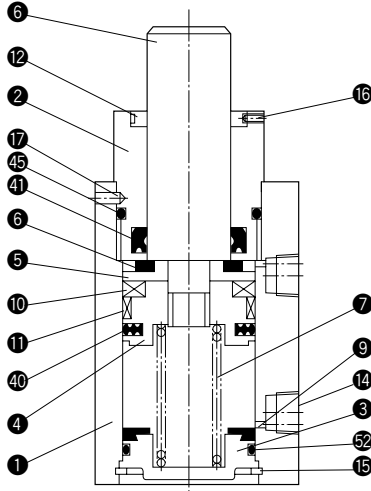
No.	Parts Name	Material	Qty.	Parts code
				$\phi$ 80
④①	Piston packing	Nitride rubber	1	PNU70 (WWP-80N)
④②	Rod packing	Nitride rubber	1	DRP50
④③	Wearing	Synthetic resin	1	for $\phi$ 80
④⑤	O-ring for rod cover	Nitride rubber	1	S75
④⑦	O-ring for body bottom plate	Nitride rubber	1	S75
④⑧	O-ring	Nitride rubber	1 (2)	P5
Packing set	Double-acting cylinder Single-acting cylinder	—	1set	Please consult for details.

Note) ● Code for seals is subject to change.

● Value in ( ) is for double-acting style.

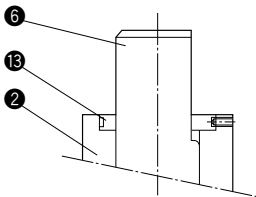
Pallet Stopper Cylinder / Straight Type / Standard ; Switch set

- Round bar type

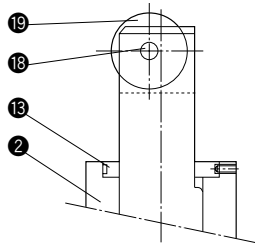


- Above is sectional drawing for single-acting, cylinder bore  $\phi 32$ , round bar.  
In case of double-acting, there is not spring indicated as 7.  
Sections for cylinder bore  $\phi 50$  are slightly different.

- Chamfer type



- Roller type



## Parts List

No .	Parts Name	Material	Qty.
①	Body	Alloyed aluminum	1
②	Rod cover	Alloyed aluminum	1
③	Head cover	Alloyed aluminum	1
④	Piston	Alloyed aluminum	1
⑤	Spacer	Alloyed aluminum	1
⑥	Piston rod	Stainless steel	1
⑦	Spring	Piano wire	1
⑧	Cushion Pad (Rod side)	Urethane rubber	1
⑨	Cushion Pad (Head side)	Urethane rubber	1
⑩	Magnet	—	1
⑪	Wearing	Synthetic resin	1
⑫	Collar	Alloyed aluminum	1
⑬	Retainer	Alloyed aluminum	1
⑭	Filter plug	—	1
⑮	C style set ring	—	1
⑯	Set screw	—	1
⑰	Spring pin	—	1
⑱	Spring pin	—	1
⑲	Roller	Resin	2

## Packing List

No.	Parts Name	Material	Qty.	Parts code		
				φ 32	φ 40	φ 50
④⑩	Piston packing	Nitride rubber	1	ZT32	PWP-40N	ZT50
④①	Rod packing	Nitride rubber	1	PUN20	PUN25A	PUN32
④⑤	O-ring for rod cover	Nitride rubber	1	S31.5	S39	S48
④②	O-ring for head cover	Nitride rubber	1	S29	S48	S46
Packing set	Double-acting cylinder	—	1set	Please consult for details.		
	Single-acting cylinder	—				

Note) • Code for seals is subject to change.