

# F3M36 LOAD CORRESPONDING TYPE

## SINGLE APERTURE ORIFICE/ WITH RELIEF VALVE



①F3M36N040SD ②F3M36S040SD-C  
③·④F3M36S040SD-JA

## ADJUSTMENT UNNECESSARY WITH SMALL, LIGHTWEIGHT ; LOAD CORRESPONDING TYPE SHOCK ABSORBER OF OUTER DIA. M36 SCREW TYPE

- According to load, the impact object is stopped softly.
- With the mounting thread provided on the outer surface of cylinder, the handling is easy as if bolt is mounted.
- In case of similar impact object, the parallel use of over 2 MINI-SOFTERS is available.
- There are a plenty of types--with cap that prevents the noise in the impact and with switch that signal is taken at stroke end.
- As the structure is simple and strongly built, MINI-SOFTER body can be used as stopper.

## CODE

For order, contact us with the following code.

### FUNDAMENTAL TYPE

**F3M36N040 SD**

### WITH CAP

**F3M36S040 SD -C**

### WITH SWITCH (Semi-standard)

**F3M36S040 SD -JA**

Single body code

Switch symbol.

Mounting style	
SD	Basic type
① FA	Front flange mounting
FB	Rear flange mounting
LA	Foot mounting

- In case of with switch, it is delivered with protective circuit(SK-100) provided.
- In parallel to relay, it shall surely be connected for use.

## SPECIFICATIONS

Code	F3M36N040SD (Fundamental type)	F3M36S040SD-C (With cap)
Max. energy absorption J	353	
Stroke mm	40	
(※1)Max. energy capacity J/min	1410	
Propulsion range N	127~4900	
Impact object weight range kg	1000 and less	
Impact speed range m/s	0.1~2.0	
Max. resisting force value N	23700	
(※2)Rod return force N	44.6~85.3	
(※2)Rod return time s	0.4	
Max. operating cycle cycle/min	60	
Operating temp. range °C	-5~+70 (With switch : -5~+50) (at non-freezing condition)	
Mounting style	FA type · FB type · LA type	
Weight kg	Body	1.054
	Mounting attachment	FA attachment:0.399 FB attachment:0.621 LA attachment:0.369 with switch:0.476
Accessories	Switch	

(※1) The max. energy capacity per minute in the table is shown at the ambient temperature of 26.7 °C.

The max. energy capacity per minute at the ambient temperature T (°C) mentioned as E<sub>2</sub> (J/min) is calculated according to the following formula.

$$E_2 = \frac{(82.2 - T)}{55.5} \times 1410$$

(※2) It indicates the max. value when stroke 40mm is pushed.

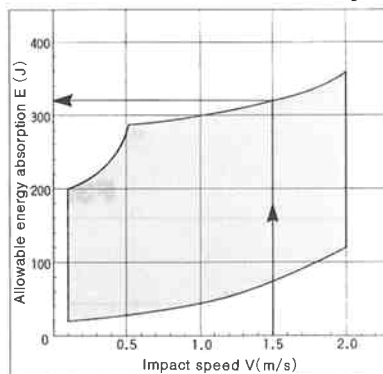
## SWITCH SPECIFICATIONS

Switch symbol	JA ZC201A	JP ZC201B	JC ZC205A	JD ZC205B
Voltage range	AC:115V or less DC:28V or less		DC:10~28V	
Current range	AC:25mA or less DC:40mA or less		DC:5~40mA	
Protective circuit	None		None	
Indicating lamp	None		LED (lights up during ON)	
Wiring method	0.2mm <sup>2</sup> 2-core, outside diameter φ3mm Rear wiring			
Code length	1m	3m	1m	3m
Applied load	Small relay, programmable controller			

Note) • For the switches without a protective circuit, be sure to provide the protective circuit (SK-100) with load devices when using induction load devices (relay, etc.).

## ENERGY ABSORPTION TABLE

10J=1.02kgf·m



## WAY OF LOOKING AT TABLE

In case of impact speed V=1.5m/s, the allowable energy absorption E(J) of F3M36 is computed. When E coping with V=1.5m/s is computed from the Energy Absorption Table, it is E=73.5~314J according to the graph of drawing at left. (The allowable energy absorption E shall surely be used in the range of 73.5~314J.)

## PRECAUTIONS FOR HANDLING

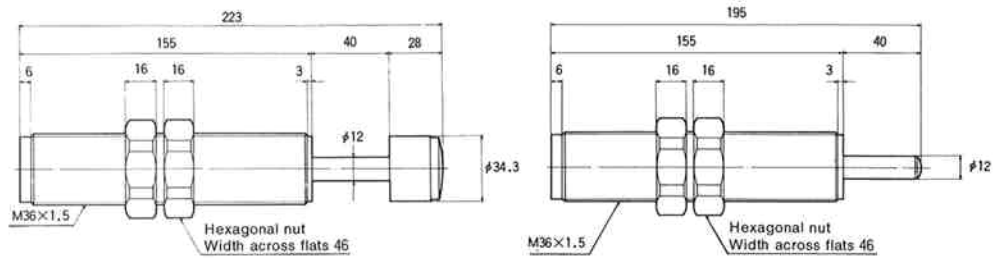
- When MINI-SOFTER is mounted, the impact load shall be applied at the center line of rod. The impact angle shall be set at less than ±2.9°
- Do not use piston rod in such environment that cutting oil and other liquids are adhered.
- Nut clamp torque is 300N·m.

# LOAD CORRESPONDING TYPE **F3M36**

## DIMENSIONAL DRAWINGS

Unit:mm

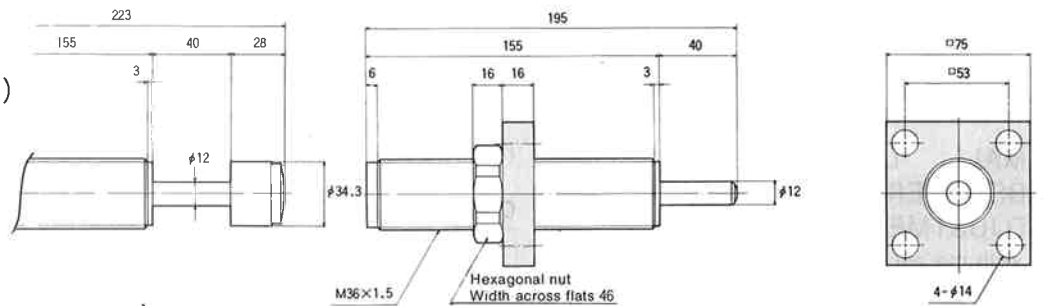
### SD TYPE (BASIC TYPE)



### **F3M36S040SD-C** (WITH CAP)

### **F3M36N040SD** (FUNDAMENTAL TYPE)

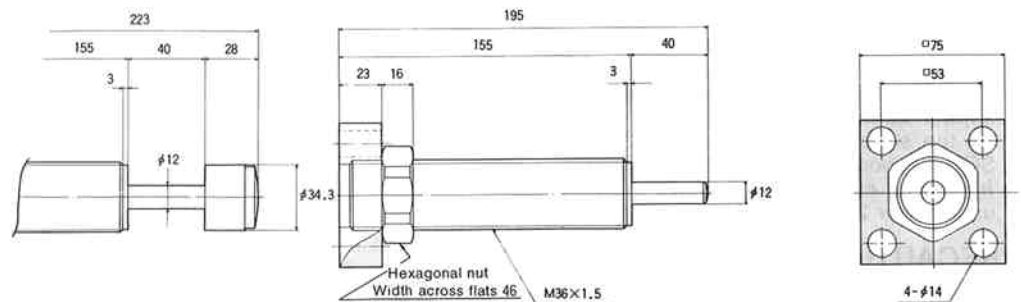
### FA TYPE (FRONT FLANGE MOUNTING)



### **F3M36S040FA-C** (WITH CAP)

### **F3M36N040FA** (FUNDAMENTAL TYPE)

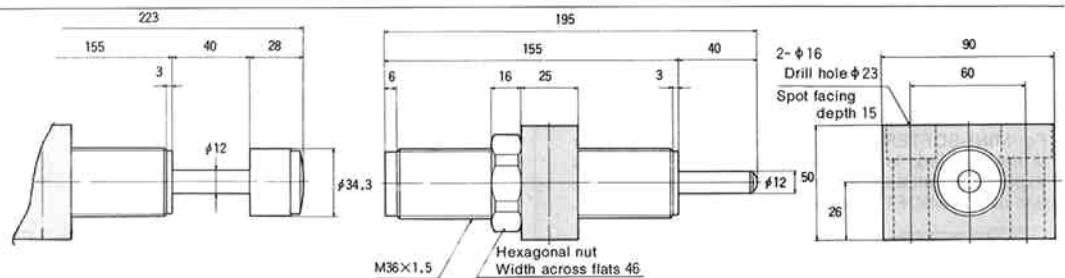
### FB TYPE (REAR FLANGE MOUNTING)



### **F3M36S040FB-C** (WITH CAP)

### **F3M36N040FB** (FUNDAMENTAL TYPE)

### LA TYPE (FOOT MOUNTING)



### **F3M36S040LA-C** (WITH CAP)

### **F3M36N040LA** (FUNDAMENTAL TYPE)

### WITH SWITCH

### SD **F3M36S040FA-JA** FB LA

