

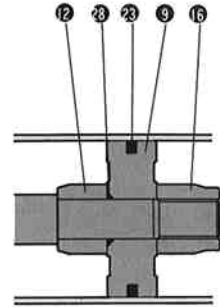
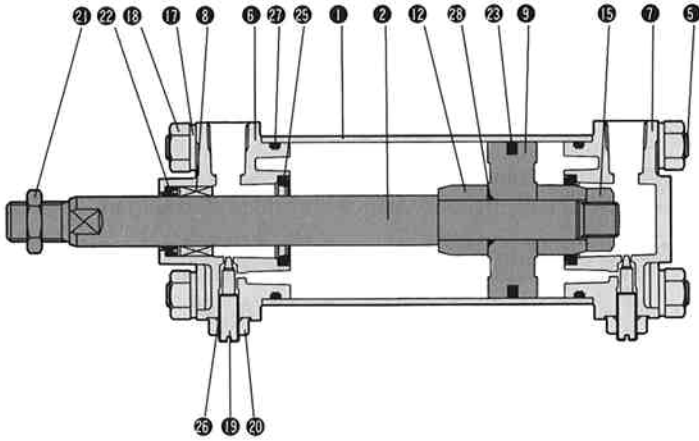
DC7 PNEUMATIC CYLINDER

INTERNAL STRUCTURAL DRAWING/DOUBLE-ACTING SINGLE-ROD TYPE

- STANDARD TYPE
- IRON-PROXIMITY TYPE

Bore $\phi 40 \sim \phi 100$

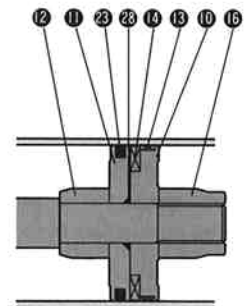
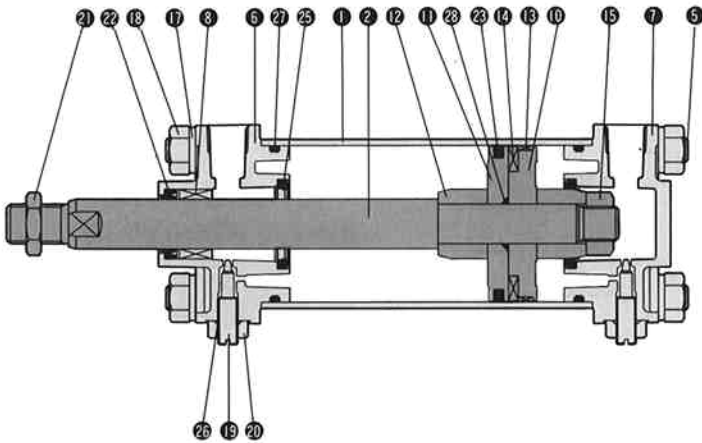
Bore $\phi 125 \cdot \phi 150$



- MAGNETIC PROXIMITY TYPE

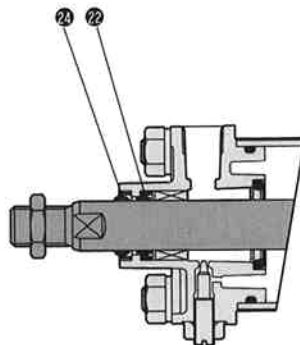
Bore $\phi 40 \sim \phi 100$

Bore $\phi 125$



- WITH HEAVY-DUTY SCRAPER

Bore $\phi 40 \sim \phi 150$



PNEUMATIC CYLINDER DC7

PARTS LIST

No.	Name	Material	Q'ty	No.	Name	Material	Q'ty
①	Cylinder tube	Aluminum alloy	1	⑬	Wear ring	Synthetic resin	1(2)
②	Piston rod	Mechanical structural carbon steel	1	⑭	Magnet	—	1
⑤	Tie rod	Mechanical structural carbon steel	4	⑮	Piston nut	General structural rolled steel	1
⑥	Rod cover	Die casting aluminum alloy	1	⑯	Cushion nut	Mechanical structural carbon steel	1
⑦	Head cover	Die casting aluminum alloy	1	⑰	Spring washer	Spring steel	8
⑧	Rod bushing	Oil impregnated sintered copper alloy	1	⑱	Tie rod nut	General structural rolled steel	8
⑨	Piston	Cast iron	1	⑲	Cushion valve	Mechanical structural carbon steel	2
⑩	Piston	Aluminum alloy	1	⑳	Cushion lock nut	General structural rolled steel	2
⑪	Packing housing	Aluminum alloy	1	㉑	Rod end lock nut	General structural rolled steel	1
⑫	Cushion ring	Mechanical structural carbon steel	2(1)	㉒	O-ring for piston rod	Nitrile rubber	1

※) Values in () apply to the bore of ϕ 125 or 150.

SEALS LIST

Name	⑫	⑬	⑭	⑮	⑯	⑰
	Rod seal	Piston seal	Scraper	Cushion seal	Cushion valve seal	O-ring for cover
	Nitrile rubber	Nitrile rubber	Nitrile rubber with metal ring	Nitrile rubber with metal ring	Nitrile rubber	Nitrile rubber
Bore	1	1	1	2	2	2
ϕ 40	DRP16	PWP40N	K2-16	CPF20	P8	G35
ϕ 50	DRP20	PWP50N	K2-20	CPF28	P8	G45
ϕ 63	DRP20	PWP63N	K2-20	CPF28	P8	G58
ϕ 80	DRP25	PWP80N	K2-25	CPF40	P10	G75
ϕ 100	DRP30	PWP100N	K2-30	CPF40	P10	G95
ϕ 125	DRP35	PWP125N	DKB35	CPF45	P16	G120
ϕ 150	DRP40	PWP150N	DKB40	PCS50	P16	G145

SEAL KIT ARRANGEMENT TYPE CODE

For order, specify the following code.

DC7 / PKS — 050

General-purpose type

DC7

DC7R

With heavy-duty scraper

DC7H

DC7HR

Cylinder bore (mm)

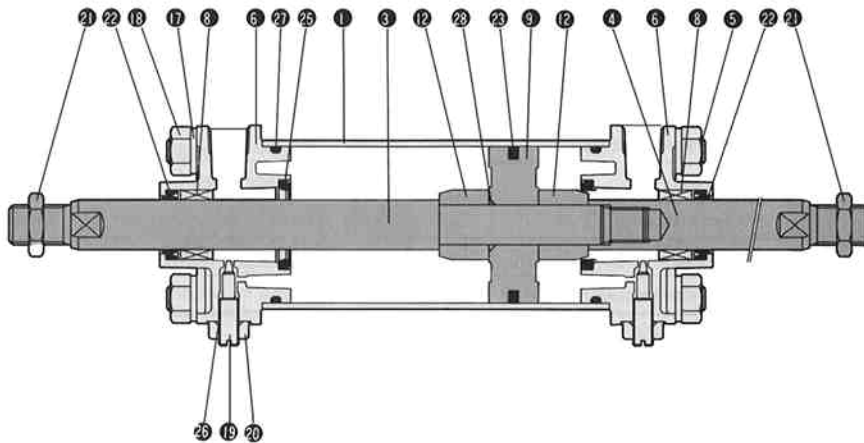
Seal kit code

DC7 PNEUMATIC CYLINDER

INTERNAL STRUCTURAL DRAWING/DOUBLE-ACTING DOUBLE-ROD TYPE

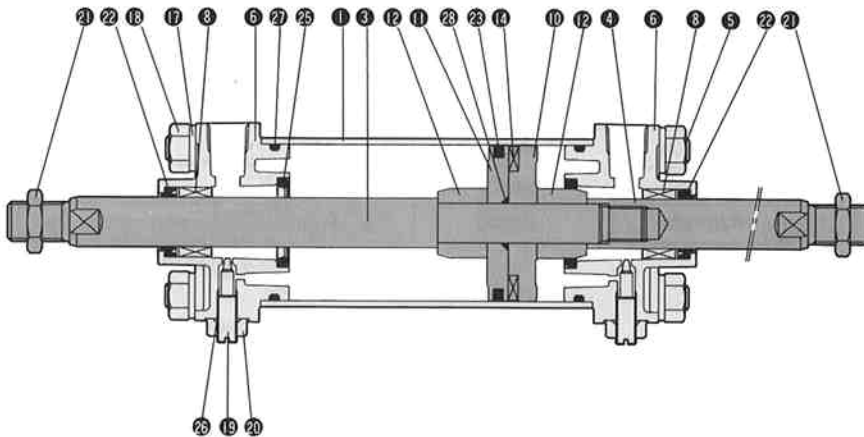
- STANDARD TYPE
- IRON PROXIMITY TYPE

Bore $\phi 40 \sim \phi 100$



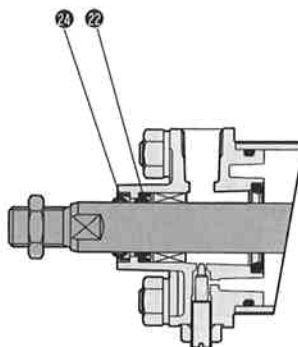
- MAGNETIC PROXIMITY TYPE

Bore $\phi 40 \sim \phi 125$



- WITH HEAVY-DUTY SCRAPER

Bore $\phi 40 \sim \phi 150$



PNEUMATIC CYLINDER DC7

PARTS LIST

No.	Name	Material	Q'ty	No.	Name	Material	Q'ty
1	Cylinder tube	Aluminum alloy	1	12	Cushion ring	Sintered metal	2
3	Piston rod A	Mechanical structural carbon steel	1	14	Magnet	—	1
4	Piston rod B	Mechanical structural carbon steel	1	17	Spring washer	Spring steel	8
5	Tie rod	Mechanical structural carbon steel	4	18	Tie rod nut	General structural rolled steel	8
6	Rod cover	Die casting aluminum alloy	2	19	Cushion valve	Mechanical structural carbon steel	2
8	Bush	Oil impregnated sintered copper alloy	2	20	Cushion lock nut	General structural rolled steel	2
9	Piston	Cast iron	1	21	Rod end lock nut	General structural rolled steel	2
10	Piston	Aluminum alloy	1	28	O-ring for piston rod	Nitrile rubber	1
11	Packing housing	Aluminum alloy	1				

SEALS LIST

Name	2	28	24	25	26	27
	Rod seal	Piston seal	Scraper	Cushion seal	Cushion valve seal	O-ring for cover
	Nitrile rubber	Nitrile rubber	Nitrile rubber with metal ring	Nitrile rubber with metal ring	Nitrile rubber	Nitrile rubber
Bore	2	1	2	2	2	2
φ 40	DRP16	PWP40N	K2-16	CPF20	P8	G35
φ 50	DRP20N	PWP50N	K2-20	CPF28	P8	G45
φ 63	DRP20N	PWP63N	K2-20	CPF28	P8	G58
φ 80	DRP25	PWP80N	K2-25	CPF40	P10	G75
φ 100	DRP30	PWP100N	K2-30	CPF40	P10	G95
φ 125	DRP35	PWP125N	DKB35	CPF45	P16	G120
φ 150	DRP40	PWP150N	DKB40	PCS50	P16	G145

SEAL KIT ARRANGEMENT TYPE CODE

For order, specify the following code.

DC7D / PKS — 050

General-purpose type

DC7D

DC7RD

With heavy-duty scraper

DC7HD

DC7HRD

Cylinder bore (mm)

Seal kit code