

# AS-1010 FIXED TYPE

## GROOVE ORIFICE



## MINIATURE, LIGHTWEIGHT SHOCK ABSORBER

- Highly efficient shock absorber with the adoption of membranous oil seal and small frictional resistance in the slipping part.
- With the adoption of silicone oil, the stabilized performance is maintained for the change of temperature and orifice characteristics.
- Small in size, but the shock absorption is very soft.

## PRECAUTIONS FOR HANDLING

- With the impact load within the equivalent load range and the impact speed of less than 1m/s, it shall be used within the energy absorption range.
- For mounting MINI-SOFTER, loads shall be applied at the center position of rod. The impact angle shall be kept at less than  $\pm 0.05\text{rad}$  against the center position of rod.
- D-cut shape is provided for piston rod to prevent the rotation of piston rod.
- Nut clamp torque is 1.5 N·m.

## SPECIFICATIONS

Code	AS-1010-2	AS-1010-3	AS-1010-4
Max. energy absorption J	0.392~0.981	0.981~2.06	1.96~3.24
Stroke mm	10		
Max. equivalent load kg	10	15	20
(※1)Max. energy capacity J/min	44.1	78.5	78.5
Max. impact speed m/s	1 and less		
Max. resisting force value N	980		
(※2)Rod return force N	1.57	5.30	9.41
(※2)Rod return time s	0.5	1.0	
Max. operating cycle cycle/min	45	30	
Temperature range °C	-10~+50 (at non-freezing condition)		
Weight g	39	43	
Accessories	End angles attachment • Holder		

(※1) Max. energy capacity per minute in the table is shown at the ambient temperature of 26.7°C.

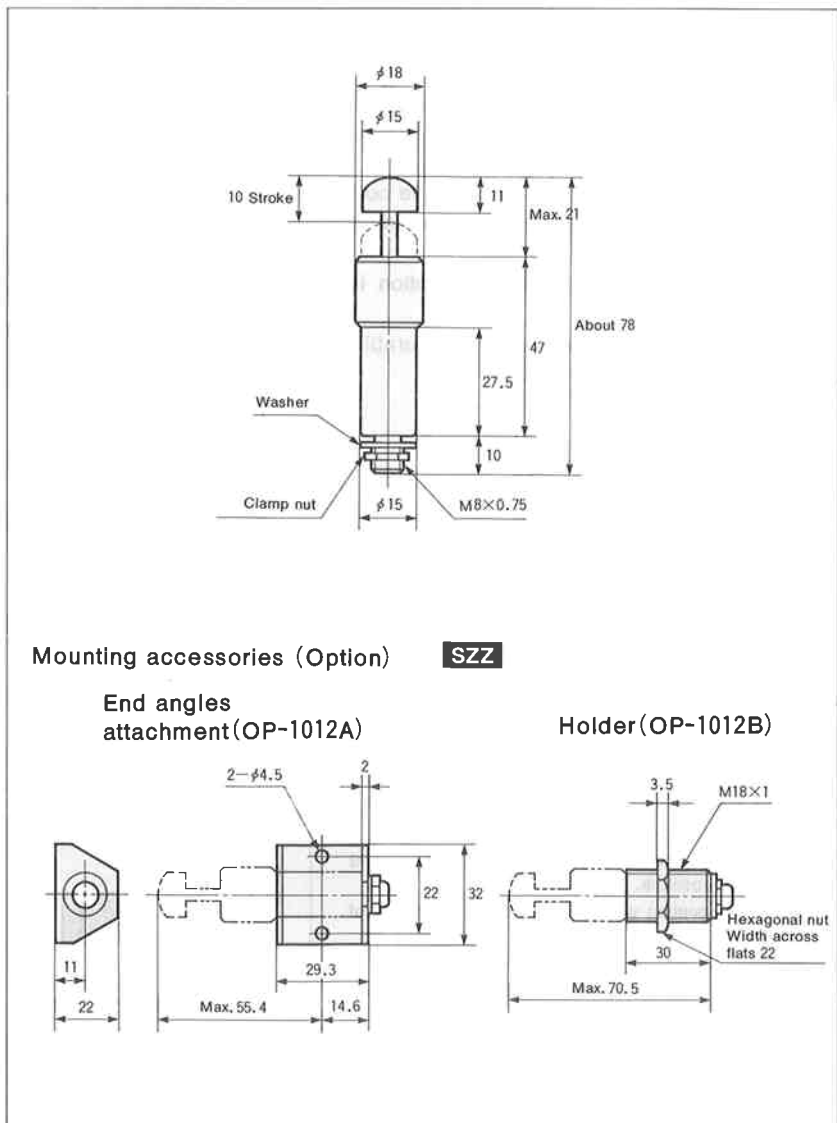
Max. energy capacity per minute at the ambient temperature T (°C) mentioned as E<sub>2</sub> (J/min) is calculated according to the following formula.

$$E_2 = \frac{(82.2 - T)}{55.5} \times (\text{Max. energy capacity per min in table})$$

(※2) When stroke 10mm is pushed.

## DIMENSIONAL DRAWINGS

Unit:mm



Mounting accessories (Option)

SZZ

End angles attachment(OP-1012A)

Holder(OP-1012B)