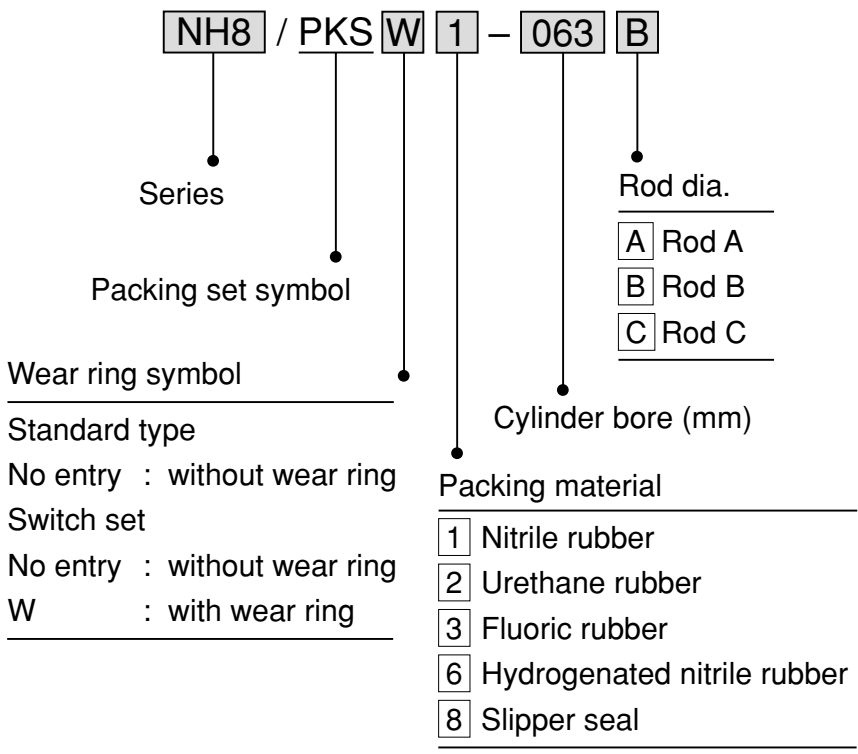




# Sectional drawings/packing list

### Code for arrangement of packing set

When placing orders, specify the codes as shown below.

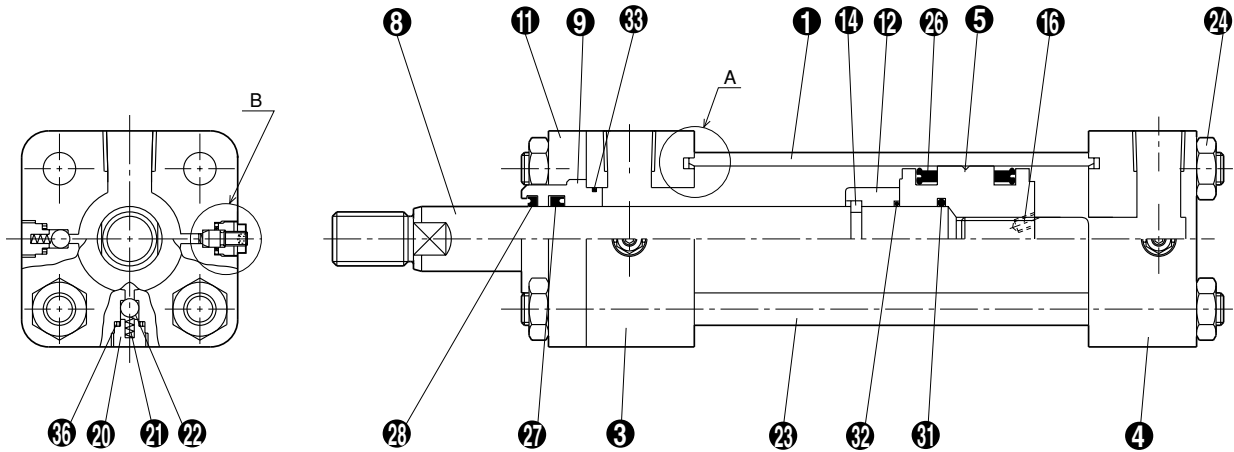


- Notes)
- For details, refer to the sectional drawings.
  - The standard type is not equipped with the wear ring. It is provided for only the switch set.



### Double acting single rod/standard type/70H-8, 140H-8 (rod A, B, C)

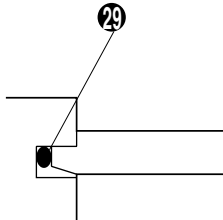
- Bore  $\phi 32 - \phi 250$



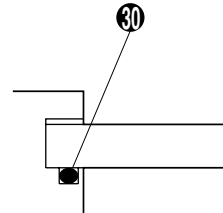
The detailed structure of the piston varies depending on the bore.

### Enlarged drawing of part A

- Bore  $\phi 32 - \phi 160$

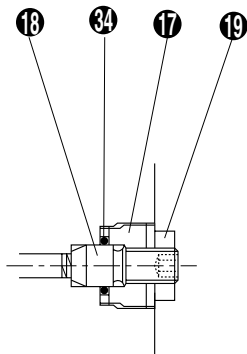


- Bore  $\phi 180 - \phi 250$

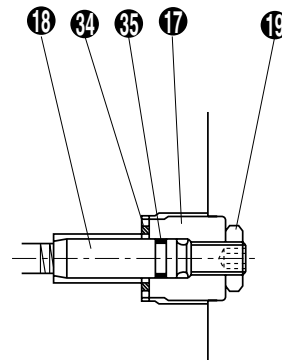


### Enlarged drawing of part B (cushion valve)

- Bore  $\phi 32 - \phi 100$



- Bore  $\phi 125 - \phi 250$

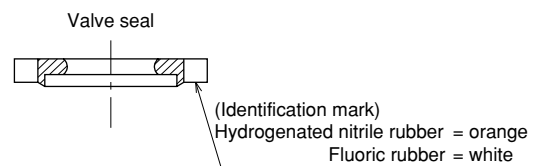


## Parts list

No.	Name	Material	Q'ty
❶	Cylinder tube	Carbon steel for machine structural use	1
❸	Rod cover	Carbon steel for machine structural use ( $\phi 32 - \phi 80$ ) Structural rolled steel ( $\phi 100 - \phi 250$ )	1
❹	Head cover	Carbon steel for machine structural use ( $\phi 32 - \phi 80$ ) Structural rolled steel ( $\phi 100 - \phi 250$ )	1
❺	Piston	Gray cast iron	1
❽	Piston rod	Carbon steel for machine structural use	1
❾	Bush	Copper alloy	1
❾	Retainer	Carbon steel for machine structural use ( $\phi 32 - \phi 80$ ) Structural rolled steel ( $\phi 100 - \phi 250$ )	1
❿	Cushion ring	Cast iron	1
⓫	Stop ring	Carbon steel for machine structural use ( $\phi 32 - \phi 125$ ) Piano wire ( $\phi 140 - \phi 250$ )	( 1 )
⓬	Set screw	Chrome molybdenum steel	1
⓭	Cushion plug	Carbon steel for machine structural use	2
⓮	Cushion valve	Chrome molybdenum steel	2
⓯	Cushion lock nut	Structural rolled steel	2
⓰	Check plug	Carbon steel for machine structural use	4
⓱	Check spring	Piano wire	4
⓲	Check ball	High carbon chromium bearing steel	4
⓳	Tie rod	Carbon steel for machine structural use (7 MPa: for $\phi 63 - \phi 250$ ) Chrome molybdenum steel (7 MPa: for $\phi 32 - \phi 50$ , 14 MPa)	4
⓴	Tie rod nut (type 2)	Carbon steel for machine structural use	8

- The quantities shown in the table above are applicable to the type with both ends cushioned.
- The item with the quantity in the ( ) mark may not be used depending on the bore and rod dia.

Fig.1



Fit with the marked side facing inside of the cylinder.

### ⚠ CAUTION

- Precautions for fitting of valve seals ❸❹, ❸❺

The valve seals, ❸❹ and ❸❺, must be fit in the specified direction and sequences. Wrong fitting direction and sequences will lead to the damaged packings, causing oil leak.

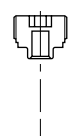
Fitting sequences

- ① Check the direction of a valve seal.  
The marked side must be faced inside (refer to Fig.1).
- ② Fit the valve seal to the shaft of the cushion valve or the shaft of the check plug in correct fitting direction (refer to Fig.2).
- ③ Take care to prevent the valve seal from being dropped, and screw it in (refer to Fig.3).

**Note** If the seal is first fit in the cover hole, and then, it is screwed in, it may be damaged.

Fig.2

Check plug



Cushion valve

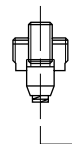
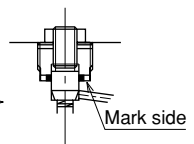
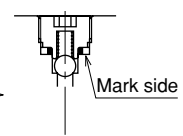


Fig.3



(Valve seal fitting sequences)

## Packing list

Standard type / 1 nitrile rubber (rod B) / 70H-8, 140H-8

No.	Parts name	Material	Q'ty	Parts code						
				φ32	φ40	φ50	φ63	φ80	φ100	φ125
25	Piston packing	Nitrile rubber	2	UHP-32	SKY-30	SKY-40	SKY-53	SKY-71	SKY-85	SKY-112
27	Rod packing	Nitrile rubber	1	SKY-18	SKY-22.4	SKY-28	SKY-35.5	SKY-45A	SKY-56	SKY-71
28	Dust wiper	Nitrile rubber	1	SDR-18	SDR-22.4	SDR-28	SDR-35.5	SDR-45	SDR-56	SDR-71
29	Cover seal	Nitrile rubber	2	TT-32	TT-40	TT-50	TT-63	TT-80	TT-100	TT-125
30	O-ring for cover	Nitrile rubber	2	—	—	—	—	—	—	—
31	O-ring for piston rod	Nitrile rubber	1	S-14	S-20	S-25	P-35.5	G-45	G-55	G-65
32	O-ring for cushion ring	Nitrile rubber	1	S-16	S-22.4	S-28	S-35.5	S-45	S-56	G-65
33	O-ring for bush	Nitrile rubber	1	P-22	G-25	G-30	G-40	G-50	G-60	G-75
34	Valve seal	Canned hydrogenated nitrile rubber	2	CX-12H	CX-12H	CX-12H	CX-12H	CX-14H	Note 1) CX-14H	CR-18H
35	O-ring for cushion valve	Hydrogenated nitrile rubber	2	—	—	—	—	—	—	S-7
36	Valve seal	Canned hydrogenated nitrile rubber	4	CX-12H	CX-12H	CX-12H	CX-12H	CR-14H	Note 1) CX-14H	CR-18H
Packing set	Double acting single rod cylinder	—	1 set	NH8/PKS1-032B	NH8/PKS1-040B	NH8/PKS1-050B	NH8/PKS1-063B	NH8/PKS1-080B	NH8/PKS1-100B	NH8/PKS1-125B

No.	Parts name	Material	Q'ty	Parts code						
				φ140	φ150	φ160	φ180	φ200	φ224	φ250
25	Piston packing	Nitrile rubber	2	SKY-125	SKY-136	SKY-145	SKY-165	SKY-180	SKY-204	SKY-230
27	Rod packing	Nitrile rubber	1	SKY-80	SKY-85	SKY-90	SKY-100	SKY-112	SKY-125	SKY-140
28	Dust wiper	Nitrile rubber	1	SDR-80	SDR-85	SDR-90	SDR-100	SDR-112	SDR-125	SDR-140
29	Cover seal	Nitrile rubber	2	TT-140	TT-150	TT-160	—	—	—	—
30	O-ring for cover	Nitrile rubber	2	—	—	—	G-170	G-190	*G-214	G-240
31	O-ring for piston rod	Nitrile rubber	1	G-70	G-75	G-80	G-75	G-85	G-95	*G-107
32	O-ring for cushion ring	Nitrile rubber	1	G-75	G-80	G-85	G-80	G-90	G-100	G-110
33	O-ring for bush	Nitrile rubber	1	G-85	G-90	G-95	G-110	G-125	G-140	G-155
34	Valve seal	Canned hydrogenated nitrile rubber	2	CR-18H	CR-18H	CR-22H	CR-22H	CR-22H	CR-22H	CR-22H
35	O-ring for cushion valve	Hydrogenated nitrile rubber	2	S-7	S-7	S-11.2	S-11.2	S-11.2	S-11.2	S-11.2
36	Valve seal	Canned hydrogenated nitrile rubber	4	CR-18H	CR-18H	CR-22H	CR-22H	CR-22H	CR-22H	CR-22H
Packing set	Double acting single rod cylinder	—	1 set	NH8/PKS1-140B	NH8/PKS1-150B	NH8/PKS1-160B	NH8/PKS1-180B	NH8/PKS1-200B	NH8/PKS1-224B	NH8/PKS1-250B

- The O-ring for cover 30 conforms to JIS B2401-1B (Hs90). Other O-rings conform to JIS B2401-1A. The models with \*-marks conform to TAIYO standards.

Note 1) The parts code of the cushion valve seal 34 and the check valve seal 36 applicable to the TA type rod cover of a 100 mm bore is CR-18H. The O-ring for cushion valve 35, S-7 is required for this type.

The packing set for the 100 mm bore type includes 2 pcs. of the CR-18H and 1 pce. of the S-7.

Note The nominal code of packings may be changed.

## Standard type/2 urethane rubber (rod B) / 70H-8, 140H-8

No.	Parts name	Material	Q'ty	Parts code				
				φ32	φ40	φ50	φ63	φ80
26	Piston packing	Urethane rubber	2	Note 1) UHP-32	UHP-40	UHP-50	UHP-63	UHP-80
27	Rod packing Note 2)	Urethane rubber	1	ISI-18B (UHR-18)	ISI-22.4B (UHR-22.4)	ISI-28B (UHR-28)	ISI-35.5B (UHR-35.5)	ISI-45AB (UHR-45)
28	Dust wiper	Urethane rubber	1	DHS-18	DHS-22.4	DHS-28	DHS-35.5	DHS-45
29	Cover seal	Nitrile rubber	2	TT-32	TT-40	TT-50	TT-63	TT-80
31	O-ring for piston rod	Nitrile rubber	1	S-14	S-20	S-25	P-35.5	G-45
32	O-ring for cushion ring	Nitrile rubber	1	S-16	S-22.4	S-28	S-35.5	S-45
33	O-ring for bush	Nitrile rubber	1	P-22	G-25	G-30	G-40	G-50
34	Valve seal	Canned hydrogenated nitrile rubber	2	CX-12H	CX-12H	CX-12H	CX-12H	CX-14H
35	O-ring for cushion valve	Hydrogenated nitrile rubber	2	—	—	—	—	—
36	Valve seal	Canned hydrogenated nitrile rubber	4	CX-12H	CX-12H	CX-12H	CX-12H	CX-14H
Packing set	Double acting single rod cylinder	—	1 set	NH8/PKS2-032B	NH8/PKS2-040B	NH8/PKS2-050B	NH8/PKS2-063B	NH8/PKS2-080B

No.	Parts name	Material	Q'ty	Parts code				
				φ100	φ125	φ140	φ150	φ160
26	Piston packing	Urethane rubber	2	UHP-100	UHP-125	UHP-140	UHP-150	UHP-160
27	Rod packing Note 2)	Urethane rubber	1	ISI-56B (UHR-56)	ISI-71AB (UHR-71)	ISI-80B (UHR-80)	ISI-85B (UHR-85)	ISI-90B (UHR-90)
28	Dust wiper	Urethane rubber	1	DHS-56	DHS-71	DHS-80	DHS-85	DHS-90
29	Cover seal	Nitrile rubber	2	TT-100	TT-125	TT-140	TT-150	TT-160
31	O-ring for piston rod	Nitrile rubber	1	G-55	G-65	G-70	G-75	G-80
32	O-ring for cushion ring	Nitrile rubber	1	S-56	G-65	G-75	G-80	G-85
33	O-ring for bush	Nitrile rubber	1	G-60	G-75	G-85	G-90	G-95
34	Valve seal	Canned hydrogenated nitrile rubber	2	Note 3) CX-14H	CR-18H	CR-18H	CR-18H	CR-22H
35	O-ring for cushion valve	Hydrogenated nitrile rubber	2	—	S-7	S-7	S-7	S-11.2
36	Valve seal	Canned hydrogenated nitrile rubber	4	Note 3) CX-14H	CR-18H	CR-18H	CR-18H	CR-22H
Packing set	Double acting single rod cylinder	—	1 set	NH8/PKS2-100B	NH8/PKS2-125B	NH8/PKS2-140B	NH8/PKS2-150B	NH8/PKS2-160B

- The O-rings conform to JIS B2401-1A.

Note 1) The material of the piston packing of a bore of φ32 is nitrile rubber.

Note 2) Rod seals ISI and UHR both are interchangeable with each other.

Note 3) The parts code of the cushion valve seal 34 and the check valve seal 36 applicable to the TA type rod cover of a 100 mm bore is CR-18H. The O-ring for cushion valve 35, S-7 is required for this type.

The packing set for the 100 mm bore type includes 2 pcs. of the CR-18H and 1 pce. of the S-7.

**Note** The nominal code of packings may be changed.

## Packing list

Standard type/<sup>3</sup>fluoric rubber (rod B/semi-standard) / 70H-8, 140H-8

No.	Parts name	Material	Q'ty	Parts code						
				φ32	φ40	φ50	φ63	φ80	φ100	φ125
25	Piston packing	Fluoric rubber	2	UHP-32	UHP-40	UHP-50	UHP-63	UHP-80	UHP-100	UHP-125
27	Rod packing	Fluoric rubber	1	UHR-18	UHR-22.4	UHR-28	UHR-35.5	UHR-45	UHR-56	UHR-71
28	Dust wiper	Fluoric rubber	1	DHS-18	DHS-22.4	DHS-28	DHS-35.5	DHS-45	DHS-56	DHS-71
29	Cover seal	Fluoric rubber	2	TT-32	TT-40	TT-50	TT-63	TT-80	TT-100	TT-125
30	O-ring for cover	Fluoric rubber	2	—	—	—	—	—	—	—
31	O-ring for piston rod	Fluoric rubber	1	S-14	S-20	S-25	P-35.5	G-45	G-55	G-65
32	O-ring for cushion ring	Fluoric rubber	1	S-16	S-22.4	S-28	S-35.5	S-45	S-56	G-65
33	O-ring for bush	Fluoric rubber	1	P-22	G-25	G-30	G-40	G-50	G-60	G-75
34	Valve seal	Canned fluoric rubber	2	CX-12F	CX-12F	CX-12F	CX-12F	CX-14F	Note 1) CX-14F	CR-18F
35	O-ring for cushion valve	Fluoric rubber	2	—	—	—	—	—	—	S-7
36	Valve seal	Canned fluoric rubber	4	CX-12F	CX-12F	CX-12F	CX-12F	CX-14F	Note 1) CX-14F	CR-18F
Packing set	Double acting single rod cylinder	—	1 set	NH8/PKS3-032B	NH8/PKS3-040B	NH8/PKS3-050B	NH8/PKS3-063B	NH8/PKS3-080B	NH8/PKS3-100B	NH8/PKS3-125B

No.	Parts name	Material	Q'ty	Parts code						
				φ140	φ150	φ160	φ180	φ200	φ224	φ250
25	Piston packing	Fluoric rubber	2	UHP-140	UHP-150	UHP-160	SKY-165F	SKY-180F	SKY-204F	SKY-230F
27	Rod packing	Fluoric rubber	1	UHR-80	UHR-85	UHR-90	SKY-100F	SKY-112F	SKY-125F	SKY-140F
28	Dust wiper	Fluoric rubber	1	DHS-80	DHS-85	DHS-90	SDR-100F	SDR-112F	SDR-125F	SDR-140F
29	Cover seal	Fluoric rubber	2	TT-140	TT-150	TT-160	—	—	—	—
30	O-ring for cover	Fluoric rubber	2	—	—	—	G-170	G-190	*G-214	G-240
31	O-ring for piston rod	Fluoric rubber	1	G-70	G-75	G-80	G-75	G-85	G-95	*G-107
32	O-ring for cushion ring	Fluoric rubber	1	G-75	G-80	G-85	G-80	G-90	G-100	G-110
33	O-ring for bush	Fluoric rubber	1	G-85	G-90	G-95	G-110	G-125	G-140	G-155
34	Valve seal	Canned fluoric rubber	2	CR-18F	CR-18F	CR-22F	CR-22F	CR-22F	CR-22F	CR-22F
35	O-ring for cushion valve	Fluoric rubber	2	S-7	S-7	S-11.2	S-11.2	S-11.2	S-11.2	S-11.2
36	Valve seal	Canned fluoric rubber	4	CR-18F	CR-18F	CR-22F	CR-22F	CR-22F	CR-22F	CR-22F
Packing set	Double acting single rod cylinder	—	1 set	NH8/PKS3-140B	NH8/PKS3-150B	NH8/PKS3-160B	NH8/PKS3-180B	NH8/PKS3-200B	NH8/PKS3-224B	NH8/PKS3-250B

- The hardness of the O-ring for cover <sup>30</sup> is Hs 90. Other O-rings conform to JIS B2401-4D (Hs70). The models with \*-marks conform to TAIYO standards.

Note 1) The parts code of the cushion valve seal <sup>34</sup> and the check valve seal <sup>36</sup> applicable to the TA type rod cover of a 100 mm bore is CR-18F. The O-ring for cushion valve <sup>35</sup>, S-7 is required for this type.

The packing set for the 100 mm bore type includes 2 pcs. of the CR-18F and 1 pce. of the S-7.

**Note** The nominal code of packings may be changed.

## Standard type/6 hydrogenated nitrile rubber (rod B/semi-standard) / 70H-8, 140H-8

No.	Parts name	Material	Q'ty	Parts code				
				φ32	φ40	φ50	φ63	φ80
26	Piston packing	Hydrogenated nitrile rubber	2	UHP-32	UHP-40	UHP-50	UHP-63	UHP-80
27	Rod packing	Hydrogenated nitrile rubber	1	UHR-18	UHR-22.4	UHR-28	UHR-35.5	UHR-45
28	Dust wiper	Hydrogenated nitrile rubber	1	DHS-18	DHS-22.4	DHS-28	DHS-35.5	DHS-45
29	Cover seal	Hydrogenated nitrile rubber	2	TT-32	TT-40	TT-50	TT-63	TT-80
31	O-ring for piston rod	Hydrogenated nitrile rubber	1	S-14	S-20	S-25	P-35.5	G-45
32	O-ring for cushion ring	Hydrogenated nitrile rubber	1	S-16	S-22.4	S-28	S-35.5	S-45
33	O-ring for bush	Hydrogenated nitrile rubber	1	P-22	G-25	G-30	G-40	G-50
34	Valve seal	Canned hydrogenated nitrile rubber	2	CX-12H	CX-12H	CX-12H	CX-12H	CX-14H
35	O-ring for cushion valve	Hydrogenated nitrile rubber	2	—	—	—	—	—
36	Valve seal	Canned hydrogenated nitrile rubber	4	CX-12H	CX-12H	CX-12H	CX-12H	CX-14H
Packing set	Double acting single rod cylinder	—	1 set	NH8/PKS6-032B	NH8/PKS6-040B	NH8/PKS6-050B	NH8/PKS6-063B	NH8/PKS6-080B

No.	Parts name	Material	Q'ty	Parts code				
				φ100	φ125	φ140	φ150	φ160
26	Piston packing	Hydrogenated nitrile rubber	2	UHP-100	UHP-125	UHP-140	UHP-150	UHP-160
27	Rod packing	Hydrogenated nitrile rubber	1	UHR-56	UHR-71	UHR-80	UHR-85	UHR-90
28	Dust wiper	Hydrogenated nitrile rubber	1	DHS-56	DHS-71	DHS-80	DHS-85	DHS-90
29	Cover seal	Hydrogenated nitrile rubber	2	TT-100	TT-125	TT-140	TT-150	TT-160
31	O-ring for piston rod	Hydrogenated nitrile rubber	1	G-55	G-65	G-70	G-75	G-80
32	O-ring for cushion ring	Hydrogenated nitrile rubber	1	S-56	G-65	G-75	G-80	G-85
33	O-ring for bush	Hydrogenated nitrile rubber	1	G-60	G-75	G-85	G-90	G-95
34	Valve seal	Canned hydrogenated nitrile rubber	2	Note 1) CX-14H	CR-18H	CR-18H	CR-18H	CR-22H
35	O-ring for cushion valve	Hydrogenated nitrile rubber	2	—	S-7	S-7	S-7	S-11.2
36	Valve seal	Canned hydrogenated nitrile rubber	4	Note 1) CX-14H	CR-18H	CR-18H	CR-18H	CR-22H
Packing set	Double acting single rod cylinder	—	1 set	NH8/PKS6-100B	NH8/PKS6-125B	NH8/PKS6-140B	NH8/PKS6-150B	NH8/PKS6-160B

- The hardness of the O-ring for cushion valve 35 is Hs 70, and that of other O-rings is Hs 90.

Note 1) The parts code of the cushion valve seal 34 and the check valve seal 36 applicable to the TA type rod cover of a 100 mm bore is CR-18H. The O-ring for cushion valve 35, S-7 is required for this type.

The packing set for the 100 mm bore type includes 2 pcs. of the CR-18H and 1 pce. of the S-7.

**Note** The nominal code of packings may be changed.

## Packing list

Standard type/**1** nitrile rubber (rod C) / 70H-8, 140H-8

No.	Parts name	Material	Q'ty	Parts code						
				φ40	φ50	φ63	φ80	φ100	φ125	φ140
25	Piston packing	Nitrile rubber	2	SKY-30	SKY-40	SKY-53	SKY-71	SKY-85	SKY-112	SKY-125
27	Rod packing	Nitrile rubber	1	SKY-18	SKY-22.4	SKY-28	SKY-35.5	SKY-45A	SKY-56	SKY-63
28	Dust wiper	Nitrile rubber	1	SDR-18	SDR-22.4	SDR-28	SDR-35.5	SDR-45	SDR-56	SDR-63
29	Cover seal	Nitrile rubber	2	TT-40	TT-50	TT-63	TT-80	TT-100	TT-125	TT-140
30	O-ring for cover	Nitrile rubber	2	—	—	—	—	—	—	—
31	O-ring for piston rod	Nitrile rubber	1	P-18	P-22.4	P-28	P-35.5	G-45	G-55	*G-58
32	O-ring for cushion ring	Nitrile rubber	1	P-18	P-22.4	P-28	P-35.5	G-45	G-55	G-60
33	O-ring for bush	Nitrile rubber	1	G-25	G-30	G-40	G-50	G-60	G-75	G-85
34	Valve seal	Canned hydrogenated nitrile rubber	2	CX-12H	CX-12H	CX-12H	CX-14H	Note 1) CX-14H	CR-18H	CR-18H
35	O-ring for cushion valve	Hydrogenated nitrile rubber	2	—	—	—	—	—	S-7	S-7
36	Valve seal	Canned hydrogenated nitrile rubber	4	CX-12H	CX-12H	CX-12H	CX-14H	Note 1) CX-14H	CR-18H	CR-18H
Packing set	Double acting single rod cylinder	—	1 set	NH8/PKS1-040C	NH8/PKS1-050C	NH8/PKS1-063C	NH8/PKS1-080C	NH8/PKS1-100C	NH8/PKS1-125C	NH8/PKS1-140C

No.	Parts name	Material	Q'ty	Parts code					
				φ150	φ160	φ180	φ200	φ224	φ250
25	Piston packing	Nitrile rubber	2	SKY-136	SKY-145	SKY-165	SKY-180	SKY-204	SKY-230
27	Rod packing	Nitrile rubber	1	SKY-67	SKY-71	SKY-80	SKY-90	SKY-100	SKY-112
28	Dust wiper	Nitrile rubber	1	SDR-67	SDR-71	SDR-80	SDR-90	SDR-100	SDR-112
29	Cover seal	Nitrile rubber	2	TT-150	TT-160	—	—	—	—
30	O-ring for cover	Nitrile rubber	2	—	—	G-170	G-190	*G-214	G-240
31	O-ring for piston rod	Nitrile rubber	1	G-60	G-65	G-75	G-85	G-95	*G-107
32	O-ring for cushion ring	Nitrile rubber	1	G-65	G-70	G-80	G-90	G-100	G-110
33	O-ring for bush	Nitrile rubber	1	G-90	G-95	G-110	G-125	G-140	G-155
34	Valve seal	Canned hydrogenated nitrile rubber	2	CR-18H	CR-22H	CR-22H	CR-22H	CR-22H	CR-22H
35	O-ring for cushion valve	Hydrogenated nitrile rubber	2	S-7	S-11.2	S-11.2	S-11.2	S-11.2	S-11.2
36	Valve seal	Canned hydrogenated nitrile rubber	4	CR-18H	CR-22H	CR-22H	CR-22H	CR-22H	CR-22H
Packing set	Double acting single rod cylinder	—	1 set	NH8/PKS1-150C	NH8/PKS1-160C	NH8/PKS1-180C	NH8/PKS1-200C	NH8/PKS1-224C	NH8/PKS1-250C

• The O-ring for cover 30 conforms to JIS B2401-1B (Hs90). Other O-rings conform to JIS B2401-1A (Hs70). The models with \*-marks conform to TAIYO standards.

Note 1) The parts code of the cushion valve seal 34 and the check valve seal 35 applicable to the TA type rod cover of a 100 mm bore is CR-18H. The O-ring for cushion valve 35, S-7 is required for this type.

The packing set for the 100 mm bore type includes 2 pcs. of the CR-18H and 1 pce. of the S-7.

[Note] The nominal code of packings may be changed.

## Standard type / 2 urethane rubber (rod C) / 70H-8, 140H-8

No.	Parts name	Material	Q'ty	Parts code				
				φ40	φ50	φ63	φ80	φ100
26	Piston packing	Urethane rubber	2	UHP-40	UHP-50	UHP-63	UHP-80	UHP-100
27	Rod packing <small>Note 1)</small>	Urethane rubber	1	ISI-18B (UHR-18)	ISI-22.4B (UHR-22.4)	ISI-28B (UHR-28)	ISI-35.5B (UHR-35.5)	ISI-45AB (UHR-45)
28	Dust wiper	Urethane rubber	1	DHS-18	DHS-22.4	DHS-28	DHS-35.5	DHS-45
29	Cover seal	Nitrile rubber	2	TT-40	TT-50	TT-63	TT-80	TT-100
31	O-ring for piston rod	Nitrile rubber	1	P-18	P-22.4	P-28	P-35.5	G-45
32	O-ring for cushion ring	Nitrile rubber	1	P-18	P-22.4	P-28	P-35.5	G-45
33	O-ring for bush	Nitrile rubber	1	G-25	G-30	G-40	G-50	G-60
34	Valve seal	Canned hydrogenated nitrile rubber	2	CX-12H	CX-12H	CX-12H	CX-14H	<small>Note 2)</small> CX-14H
35	O-ring for cushion valve	Hydrogenated nitrile rubber	2	—	—	—	—	—
36	Valve seal	Canned hydrogenated nitrile rubber	4	CX-12H	CX-12H	CX-12H	CX-14H	<small>Note 2)</small> CX-14H
Packing set	Double acting single rod cylinder	—	1 set	NH8/PKS2-040C	NH8/PKS2-050C	NH8/PKS2-063C	NH8/PKS2-080C	NH8/PKS2-100C

No.	Parts name	Material	Q'ty	Parts code			
				φ125	φ140	φ150	φ160
26	Piston packing	Urethane rubber	2	UHP-125	UHP-140	UHP-150	UHP-160
27	Rod packing <small>Note 1)</small>	Urethane rubber	1	ISI-56B (UHR-56)	ISI-63B (UHR-63)	ISI-67B (UHR-67)	ISI-71AB (UHR-71)
28	Dust wiper	Urethane rubber	1	DHS-56	DHS-63	DHS-67	DHS-71
29	Cover seal	Nitrile rubber	2	TT-125	TT-140	TT-150	TT-160
31	O-ring for piston rod	Nitrile rubber	1	G-55	*G-58	G-60	G-65
32	O-ring for cushion ring	Nitrile rubber	1	G-55	G-60	G-65	G-70
33	O-ring for bush	Nitrile rubber	1	G-75	G-85	G-90	G-95
34	Valve seal	Canned hydrogenated nitrile rubber	2	CR-18H	CR-18H	CR-18H	CR-22H
35	O-ring for cushion valve	Hydrogenated nitrile rubber	2	S-7	S-7	S-7	S-11.2
36	Valve seal	Canned hydrogenated nitrile rubber	4	CR-18H	CR-18H	CR-18H	CR-22H
Packing set	Double acting single rod cylinder	—	1 set	NH8/PKS2-125C	NH8/PKS2-140C	NH8/PKS2-150C	NH8/PKS2-160C

- The O-rings conform to JIS B2401-1A. The models with \* marks conform to TAIYO standards.

Note 1) Rod seals ISI and UHR both are interchangeable with each other.

Note 2) The parts code of the cushion valve seal 34 applicable to the TA type rod cover of a 100 mm bore is CR-18H, and the check valve seal 36 applicable to the same is CR-18. The O-ring for cushion valve 35, S-7 is required for this type.

The packing set for the 100 mm bore type includes 2 pcs. of the CR-18H and 1 pce. of the S-7.

**Note** The nominal code of packings may be changed.

## Packing list

Standard type/**3** fluoric rubber (rod C/semi-standard) / 70H-8, 140H-8

No.	Parts name	Material	Q'ty	Parts code						
				φ40	φ50	φ63	φ80	φ100	φ125	φ140
25	Piston packing	Fluoric rubber	2	UHP-40	UHP-50	UHP-63	UHP-80	UHP-100	UHP-125	UHP-140
27	Rod packing	Fluoric rubber	1	UHR-18	UHR-22.4	UHR-28	UHR-35.5	UHR-45	UHR-56	UHR-63
28	Dust wiper	Fluoric rubber	1	DHS-18	DHS-22.4	DHS-28	DHS-35.5	DHS-45	DHS-56	DHS-63
29	Cover seal	Fluoric rubber	2	TT-40	TT-50	TT-63	TT-80	TT-100	TT-125	TT-140
30	O-ring for cover	Fluoric rubber	2	—	—	—	—	—	—	—
31	O-ring for piston rod	Fluoric rubber	1	P-18	P-22.4	P-28	P-35.5	G-45	G-55	*G-58
32	O-ring for cushion ring	Fluoric rubber	1	P-18	P-22.4	P-28	P-35.5	G-45	G-55	G-60
33	O-ring for bush	Fluoric rubber	1	G-25	G-30	G-40	G-50	G-60	G-75	G-85
34	Valve seal	Canned fluoric rubber	2	CX-12F	CX-12F	CX-12F	CX-14F	Note 1) CX-14F	CR-18F	CR-18F
35	O-ring for cushion valve	Fluoric rubber	2	—	—	—	—	—	S-7	S-7
36	Valve seal	Canned fluoric rubber	4	CX-12F	CX-12F	CX-12F	CX-14F	Note 1) CX-14F	CR-18F	CR-18F
Packing set	Double acting single rod cylinder	—	1 set	NH8/PKS3-040C	NH8/PKS3-050C	NH8/PKS3-063C	NH8/PKS3-080C	NH8/PKS3-100C	NH8/PKS3-125C	NH8/PKS3-140C

No.	Parts name	Material	Q'ty	Parts code					
				φ150	φ160	φ180	φ200	φ224	φ250
25	Piston packing	Fluoric rubber	2	UHP-150	UHP-160	SKY-165F	SKY-180F	SKY-204F	SKY-230F
27	Rod packing	Fluoric rubber	1	UHR-67	UHR-71	SKY-80F	SKY-90F	SKY-100F	SKY-112F
28	Dust wiper	Fluoric rubber	1	DHS-67	DHS-71	SDR-80F	SDR-90F	SDR-100F	SDR-112F
29	Cover seal	Fluoric rubber	2	TT-150	TT-160	—	—	—	—
30	O-ring for cover	Fluoric rubber	2	—	—	G-170	G-190	*G-214	G-240
31	O-ring for piston rod	Fluoric rubber	1	G-60	G-65	G-75	G-85	G-95	*G-107
32	O-ring for cushion ring	Fluoric rubber	1	G-65	G-70	G-80	G-90	G-100	G-110
33	O-ring for bush	Fluoric rubber	1	G-90	G-95	G-110	G-125	G-140	G-155
34	Valve seal	Canned fluoric rubber	2	CR-18F	CR-22F	CR-22F	CR-22F	CR-22F	CR-22F
35	O-ring for cushion valve	Fluoric rubber	2	S-7	S-11.2	S-11.2	S-11.2	S-11.2	S-11.2
36	Valve seal	Canned fluoric rubber	4	CR-18F	CR-22F	CR-22F	CR-22F	CR-22F	CR-22F
Packing set	Double acting single rod cylinder	—	1 set	NH8/PKS3-150C	NH8/PKS3-160C	NH8/PKS3-180C	NH8/PKS3-200C	NH8/PKS3-224C	NH8/PKS3-250C

• The hardness of the O-ring for cover 30 is Hs 90. Other O-rings conform to JIS B2401-4D (Hs70). The models with \*-marks conform to TAIYO standards.

Note 1) The parts code of the cushion valve seal 34 and the check valve seal 36 applicable to the TA type rod cover of a 100 mm bore is CR-18F. The O-ring for cushion valve 35, S-7 is required for this type.

The packing set for the 100 mm bore type includes 2 pcs. of the CR-18F and 1 pce. of the S-7.

[Note] The nominal code of packings may be changed.

## Standard type/6 hydrogenated nitrile rubber (rod C/semi-standard) / 70H-8, 140H-8

No.	Parts name	Material	Q'ty	Parts code				
				φ40	φ50	φ63	φ80	φ100
26	Piston packing	Hydrogenated nitrile rubber	2	UHP-40	UHP-50	UHP-63	UHP-80	UHP-100
27	Rod packing	Hydrogenated nitrile rubber	1	UHR-18	UHR-22.4	UHR-28	UHR-35.5	UHR-45
28	Dust wiper	Hydrogenated nitrile rubber	1	DHS-18	DHS-22.4	DHS-28	DHS-35.5	DHS-45
29	Cover seal	Hydrogenated nitrile rubber	2	TT-40	TT-50	TT-63	TT-80	TT-100
31	O-ring for piston rod	Hydrogenated nitrile rubber	1	P-18	P-22.4	P-28	P-35.5	G-45
32	O-ring for cushion ring	Hydrogenated nitrile rubber	1	P-18	P-22.4	P-28	P-35.5	G-45
33	O-ring for bush	Hydrogenated nitrile rubber	1	G-25	G-30	G-40	G-50	G-60
34	Valve seal	Canned hydrogenated nitrile rubber	2	CX-12H	CX-12H	CX-12H	CX-14H	Note 1) CX-14H
35	O-ring for cushion valve	Hydrogenated nitrile rubber	2	—	—	—	—	—
36	Valve seal	Canned hydrogenated nitrile rubber	4	CX-12H	CX-12H	CX-12H	CX-14H	Note 1) CX-14H
Packing set	Double acting single rod cylinder	—	1 set	NH8/PKS6-040C	NH8/PKS6-050C	NH8/PKS6-063C	NH8/PKS6-080C	NH8/PKS6-100C

No.	Parts name	Material	Q'ty	Parts code			
				φ125	φ140	φ150	φ160
26	Piston packing	Hydrogenated nitrile rubber	2	UHP-125	UHP-140	UHP-150	UHP-160
27	Rod packing	Hydrogenated nitrile rubber	1	UHR-56	UHR-63	UHR-67	UHR-71
28	Dust wiper	Hydrogenated nitrile rubber	1	DHS-56	DHS-63	DHS-67	DHS-71
29	Cover seal	Hydrogenated nitrile rubber	2	TT-125	TT-140	TT-150	TT-160
31	O-ring for piston rod	Hydrogenated nitrile rubber	1	G-55	*G-58	G-60	G-65
32	O-ring for cushion ring	Hydrogenated nitrile rubber	1	G-55	G-60	G-65	G-70
33	O-ring for bush	Hydrogenated nitrile rubber	1	G-75	G-85	G-90	G-95
34	Valve seal	Canned hydrogenated nitrile rubber	2	CR-18H	CR-18H	CR-18H	CR-22H
35	O-ring for cushion valve	Hydrogenated nitrile rubber	2	S-7	S-7	S-7	S-11.2
36	Valve seal	Canned hydrogenated nitrile rubber	4	CR-18H	CR-18H	CR-18H	CR-22H
Packing set	Double acting single rod cylinder	—	1 set	NH8/PKS6-125C	NH8/PKS6-140C	NH8/PKS6-150C	NH8/PKS6-160C

- The hardness of the O-ring for cushion valve 35 is Hs 70, and that of other O-rings is Hs 90. The models with \* marks conform to TAIYO standards.

Note 1) The parts code of the cushion valve seal 34 and the check valve seal 36 applicable to the TA type rod cover of a 100 mm bore is CR-18H. The O-ring for cushion valve 35, S-7 is required for this type.

The packing set for the 100 mm bore type includes 2 pcs. of the CR-18H and 1 pce. of the S-7.

**Note** The nominal code of packings may be changed.

## Packing list

## Standard type / 1 nitrile rubber (rod A) / 70H-8, 140H-8

No.	Parts name	Material	Q'ty	Parts code				
				φ40	φ50	φ63	φ80	φ100
25	Piston packing	Nitrile rubber	2	SKY-30	SKY-40	SKY-53	SKY-71	SKY-85
27	Rod packing	Nitrile rubber	1	SKY-28	SKY-35.5	SKY-45A	SKY-56	SKY-71
28	Dust wiper	Nitrile rubber	1	SDR-28	SDR-35.5	SDR-45	SDR-56	SDR-71
29	Cover seal	Nitrile rubber	2	TT-40	TT-50	TT-63	TT-80	TT-100
31	O-ring for piston rod	Nitrile rubber	1	S-20	S-25	P-35.5	G-45	G-55
32	O-ring for cushion ring	Nitrile rubber	1	S-22.4	S-28	S-35.5	S-45	S-56
33	O-ring for bush	Nitrile rubber	1	G-30	G-40	G-50	G-60	G-75
34	Valve seal	Canned hydrogenated nitrile rubber	2	CX-12H	CX-12H	CX-12H	CX-14H	Note 1) CX-14H
35	O-ring for cushion valve	Hydrogenated nitrile rubber	2	—	—	—	—	—
36	Valve seal	Canned hydrogenated nitrile rubber	4	CX-12H	CX-12H	CX-12H	CX-14H	Note 1) CX-14H
Packing set	Double acting single rod cylinder	—	1 set	NH8/PKS1-040A	NH8/PKS1-050A	NH8/PKS1-063A	NH8/PKS1-080A	NH8/PKS1-100A

No.	Parts name	Material	Q'ty	Parts code			
				φ125	φ140	φ150	φ160
25	Piston packing	Nitrile rubber	2	SKY-112	SKY-125	SKY-136	SKY-145
27	Rod packing	Nitrile rubber	1	SKY-90	SKY-100	SKY-100	SKY-112
28	Dust wiper	Nitrile rubber	1	SDR-90	SDR-100	SDR-100	SDR-112
29	Cover seal	Nitrile rubber	2	TT-125	TT-140	TT-150	TT-160
31	O-ring for piston rod	Nitrile rubber	1	G-65	G-70	G-75	G-80
32	O-ring for cushion ring	Nitrile rubber	1	G-65	G-75	G-80	G-85
33	O-ring for bush	Nitrile rubber	1	G-95	G-110	G-110	G-125
34	Valve seal	Canned hydrogenated nitrile rubber	2	CR-18H	CR-18H	CR-18H	CR-22H
35	O-ring for cushion valve	Hydrogenated nitrile rubber	2	S-7	S-7	S-7	S-11.2
36	Valve seal	Canned hydrogenated nitrile rubber	4	CR-18H	CR-18H	CR-18H	CR-22H
Packing set	Double acting single rod cylinder	—	1 set	NH8/PKS1-125A	NH8/PKS1-140A	NH8/PKS1-150A	NH8/PKS1-160A

• The O-rings conform to JIS B2401-1A.

Note 1) The parts code of the cushion valve seal 34 and the check valve seal 36 applicable to the TA type rod cover of a 100 mm bore is CR-18H. The O-ring for cushion valve 35, S-7 is required for this type.

The packing set for the 100 mm bore type includes 2 pcs. of the CR-18H and 1 pce. of the S-7.

**Note** The nominal code of packings may be changed.

## Standard type/2 urethane rubber (rod A) / 70H-8, 140H-8

No.	Parts name	Material	Q'ty	Parts code				
				φ40	φ50	φ63	φ80	φ100
26	Piston packing	Urethane rubber	2	UHP-40	UHP-50	UHP-63	UHP-80	UHP-100
27	Rod packing <small>Note 1)</small>	Urethane rubber	1	ISI-28B (UHR-28)	ISI-35.5B (UHR-35.5)	ISI-45AB (UHR-45)	ISI-56B (UHR-56)	ISI-71AB (UHR-71)
28	Dust wiper	Urethane rubber	1	DHS-28	DHS-35.5	DHS-45	DHS-56	DHS-71
29	Cover seal	Nitrile rubber	2	TT-40	TT-50	TT-63	TT-80	TT-100
31	O-ring for piston rod	Nitrile rubber	1	S-20	S-25	P-35.5	G-45	G-55
32	O-ring for cushion ring	Nitrile rubber	1	S-22.4	S-28	S-35.5	S-45	S-56
33	O-ring for bush	Nitrile rubber	1	G-30	G-40	G-50	G-60	G-75
34	Valve seal	Canned hydrogenated nitrile rubber	2	CX-12H	CX-12H	CX-12H	CX-14H	<small>Note 2)</small> CX-14H
35	O-ring for cushion valve	Hydrogenated nitrile rubber	2	—	—	—	—	—
36	Valve seal	Canned hydrogenated nitrile rubber	4	CX-12H	CX-12H	CX-12H	CX-14H	<small>Note 2)</small> CX-14H
Packing set	Double acting single rod cylinder	—	1 set	NH8/PKS2-040A	NH8/PKS2-050A	NH8/PKS2-063A	NH8/PKS2-080A	NH8/PKS2-100A

No.	Parts name	Material	Q'ty	Parts code			
				φ125	φ140	φ150	φ160
26	Piston packing	Urethane rubber	2	UHP-125	UHP-140	UHP-150	UHP-160
27	Rod packing <small>Note 1)</small>	Urethane rubber	1	ISI-90B (UHR-90)	UHR-100	UHR-100	UHR-112
28	Dust wiper	Urethane rubber	1	DHS-90	DHS-100	DHS-100	DHS-112
29	Cover seal	Nitrile rubber	2	TT-125	TT-140	TT-150	TT-160
31	O-ring for piston rod	Nitrile rubber	1	G-65	G-70	G-75	G-80
32	O-ring for cushion ring	Nitrile rubber	1	G-65	G-75	G-80	G-85
33	O-ring for bush	Nitrile rubber	1	G-95	G-110	G-110	G-125
34	Valve seal	Canned hydrogenated nitrile rubber	2	CR-18H	CR-18H	CR-18H	CR-22H
35	O-ring for cushion valve	Hydrogenated nitrile rubber	2	S-7	S-7	S-7	S-11.2
36	Valve seal	Canned hydrogenated nitrile rubber	4	CR-18H	CR-18H	CR-18H	CR-22H
Packing set	Double acting single rod cylinder	—	1 set	NH8/PKS2-125A	NH8/PKS2-140A	NH8/PKS2-150A	NH8/PKS2-160A

- The O-rings conform to JIS B2401-1A.

Note 1) Rod seals ISI and UHR both are interchangeable with each other.

Note 2) The parts code of the cushion valve seal 34 and the check valve seal 36 applicable to the TA type rod cover of a 100 mm bore is CR-18H. The O-ring for cushion valve 35, S-7 is required for this type.

The packing set for the 100 mm bore type includes 2 pcs. of the CR-18H and 1 pce. of the S-7.

**Note** The nominal code of packings may be changed.

Standard type/**3** fluoric rubber (rod A/semi-standard) / 70H-8, 140H-8

No.	Parts name	Material	Q'ty	Parts code				
				φ40	φ50	φ63	φ80	φ100
25	Piston packing	Fluoric rubber	2	UHP-40	UHP-50	UHP-63	UHP-80	UHP-100
27	Rod packing	Fluoric rubber	1	UHR-28	UHR-35.5	UHR-45	UHR-56	UHR-71
28	Dust wiper	Fluoric rubber	1	DHS-28	DHS-35.5	DHS-45	DHS-56	DHS-71
29	Cover seal	Fluoric rubber	2	TT-40	TT-50	TT-63	TT-80	TT-100
31	O-ring for piston rod	Fluoric rubber	1	S-20	S-25	P-35.5	G-45	G-55
32	O-ring for cushion ring	Fluoric rubber	1	S-22.4	S-28	S-35.5	S-45	S-56
33	O-ring for bush	Fluoric rubber	1	G-30	G-40	G-50	G-60	G-75
34	Valve seal	Canned fluoric rubber	2	CX-12F	CX-12F	CX-12F	CX-14F	Note 1) CX-14F
35	O-ring for cushion valve	Fluoric rubber	2	—	—	—	—	—
36	Valve seal	Canned fluoric rubber	4	CX-12F	CX-12F	CX-12F	CX-14F	Note 1) CX-14F
Packing set	Double acting single rod cylinder	—	1 set	NH8/PKS3-040A	NH8/PKS3-050A	NH8/PKS3-063A	NH8/PKS3-080A	NH8/PKS3-100A

No.	Parts name	Material	Q'ty	Parts code			
				φ125	φ140	φ150	φ160
25	Piston packing	Fluoric rubber	2	UHP-125	UHP-140	UHP-150	UHP-160
27	Rod packing	Fluoric rubber	1	UHR-90	SKY-100F	SKY-100F	SKY-112F
28	Dust wiper	Fluoric rubber	1	DHS-90	SDR-100F	SDR-100F	SDR-112F
29	Cover seal	Fluoric rubber	2	TT-125	TT-140	TT-150	TT-160
31	O-ring for piston rod	Fluoric rubber	1	G-65	G-70	G-75	G-80
32	O-ring for cushion ring	Fluoric rubber	1	G-65	G-75	G-80	G-85
33	O-ring for bush	Fluoric rubber	1	G-95	G-110	G-110	G-125
34	Valve seal	Canned fluoric rubber	2	CR-18F	CR-18F	CR-18F	CR-22F
35	O-ring for cushion valve	Fluoric rubber	2	S-7	S-7	S-7	S-11.2
36	Valve seal	Canned fluoric rubber	4	CR-18F	CR-18F	CR-18F	CR-22F
Packing set	Double acting single rod cylinder	—	1 set	NH8/PKS3-125A	NH8/PKS3-140A	NH8/PKS3-150A	NH8/PKS3-160A

• The O-rings conform to JIS B2401-4D (Hs70).

Note 1) The parts code of the cushion valve seal **34** applicable to the TA type rod cover of a 100 mm bore is CR-18F, and the check valve seal **36** applicable to the same is CR-18F. The O-ring for cushion valve **35**, S-7 is required for this type.

The packing set for the 100 mm bore type includes 2 pcs. of the CR-18F and 1 pce. of the S-7.

**Note** The nominal code of packings may be changed.

## Standard type/6 hydrogenated nitrile rubber (rod A/semi-standard) / 70H-8, 140H-8

No.	Parts name	Material	Q'ty	Parts code				
				φ40	φ50	φ63	φ80	φ100
26	Piston packing	Hydrogenated nitrile rubber	2	UHP-40	UHP-50	UHP-63	UHP-80	UHP-100
27	Rod packing	Hydrogenated nitrile rubber	1	UHR-28	UHR-35.5	UHR-45	UHR-56	UHR-71
28	Dust wiper	Hydrogenated nitrile rubber	1	DHS-28	DHS-35.5	DHS-45	DHS-56	DHS-71
29	Cover seal	Hydrogenated nitrile rubber	2	TT-40	TT-50	TT-63	TT-80	TT-100
31	O-ring for piston rod	Hydrogenated nitrile rubber	1	S-20	S-25	P-35.5	G-45	G-55
32	O-ring for cushion ring	Hydrogenated nitrile rubber	1	S-22.4	S-28	S-35.5	S-45	S-56
33	O-ring for bush	Hydrogenated nitrile rubber	1	G-30	G-40	G-50	G-60	G-75
34	Valve seal	Canned hydrogenated nitrile rubber	2	CX-12H	CX-12H	CX-12H	CX-14H	Note 1) CX-14H
35	O-ring for cushion valve	Hydrogenated nitrile rubber	2	—	—	—	—	—
36	Valve seal	Canned hydrogenated nitrile rubber	4	CX-12H	CX-12H	CX-12H	CX-14H	Note 1) CX-14H
Packing set	Double acting single rod cylinder	—	1 set	NH8/PKS6-040A	NH8/PKS6-050A	NH8/PKS6-063A	NH8/PKS6-080A	NH8/PKS6-100A

No.	Parts name	Material	Q'ty	Parts code			
				φ125	φ140	φ150	φ160
26	Piston packing	Hydrogenated nitrile rubber	2	UHP-125	UHP-140	UHP-150	UHP-160
27	Rod packing	Hydrogenated nitrile rubber	1	UHR-90	UHR-100	UHR-100	UHR-112
28	Dust wiper	Hydrogenated nitrile rubber	1	DHS-90	DHS-100	DHS-100	DHS-112
29	Cover seal	Hydrogenated nitrile rubber	2	TT-125	TT-140	TT-150	TT-160
31	O-ring for piston rod	Hydrogenated nitrile rubber	1	G-65	G-70	G-75	G-80
32	O-ring for cushion ring	Hydrogenated nitrile rubber	1	G-65	G-75	G-80	G-85
33	O-ring for bush	Hydrogenated nitrile rubber	1	G-95	G-110	G-110	G-125
34	Valve seal	Canned hydrogenated nitrile rubber	2	CR-18H	CR-18H	CR-18H	CR-22H
35	O-ring for cushion valve	Hydrogenated nitrile rubber	2	S-7	S-7	S-7	S-11.2
36	Valve seal	Canned hydrogenated nitrile rubber	4	CR-18H	CR-18H	CR-18H	CR-22H
Packing set	Double acting single rod cylinder	—	1 set	NH8/PKS6-125A	NH8/PKS6-140A	NH8/PKS6-150A	NH8/PKS6-160A

- The hardness of the O-ring for cushion valve 35 is Hs 70, and that of other O-rings is Hs 90.

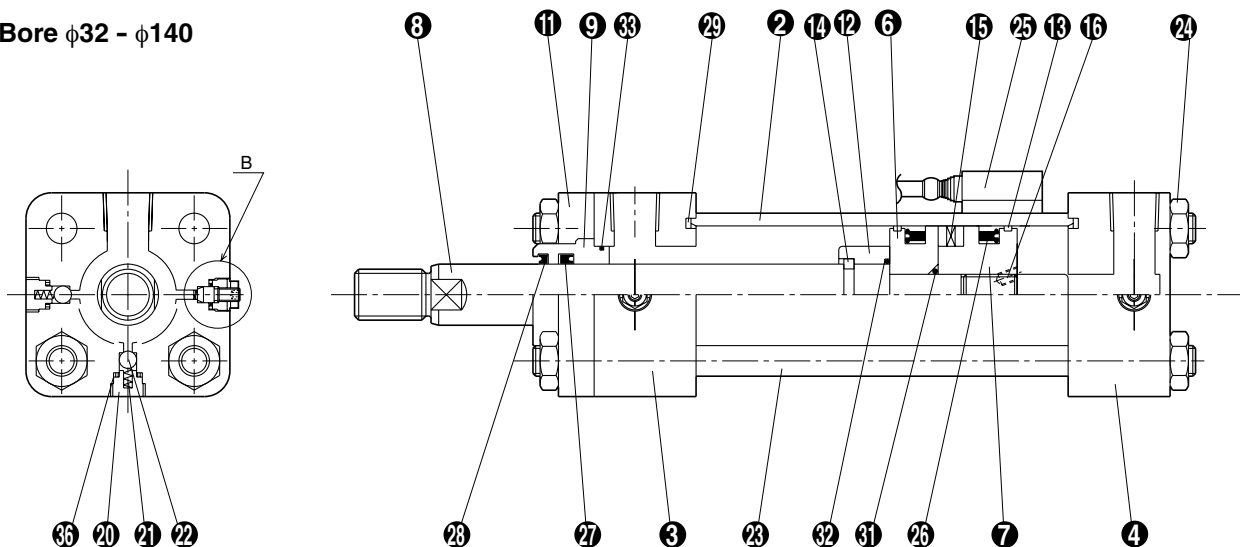
Note 1) The parts code of the cushion valve seal 34 and the check valve seal 36 applicable to the TA type rod cover of a 100 mm bore is CR-18H. The O-ring for cushion valve 35, S-7 is required for this type.

The packing set for the 100 mm bore type includes 2 pcs. of the CR-18H and 1 pce. of the S-7.

**Note** The nominal code of packings may be changed.

### Double acting single rod/switch set/70H-8R, 140H-8R (rod A, B, and C)

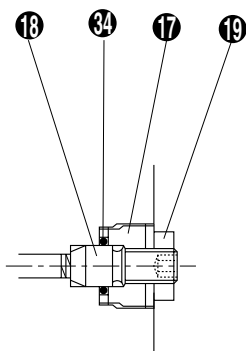
- Bore  $\phi 32 - \phi 140$



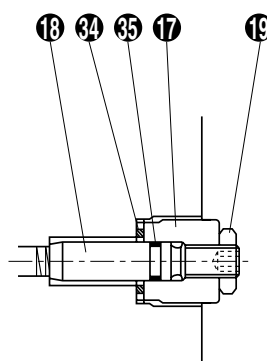
The detailed structure of the piston varies depending on the bore.

### Enlarged drawing of B (cushion valve)

- Bore  $\phi 32 - \phi 100$



- Bore  $\phi 125 - \phi 140$



## Parts list

No.	Name	Material	Q'ty
②	Cylinder tube	Stainless steel	1
③	Rod cover	Carbon steel for machine structural use ( $\phi 32 - \phi 80$ ) Structural rolled steel ( $\phi 100 - \phi 140$ )	1
④	Head cover	Carbon steel for machine structural use ( $\phi 32 - \phi 80$ ) Structural rolled steel ( $\phi 100 - \phi 140$ )	1
⑥	Piston R	Special copper alloy	1
⑦	Piston H	Special copper alloy	1
⑧	Piston rod	Carbon steel for machine structural use	1
⑨	Bush	Copper alloy	1
⑪	Retainer	Carbon steel for machine structural use ( $\phi 32 - \phi 80$ ) Structural rolled steel ( $\phi 100 - \phi 140$ )	1
⑫	Cushion ring	Cast iron	1
⑬	Wear ring	Synthetic resin	2
⑭	Stop ring	Carbon steel for machine structural use	( 1 )
⑮	Magnet	—	—
⑯	Set screw	Chrome molybdenum steel	1
⑰	Cushion plug	Carbon steel for machine structural use	2
⑱	Cushion valve	Chrome molybdenum steel	2
⑲	Cushion lock nut	Structural rolled steel	2
⑳	Check plug	Carbon steel for machine structural use	4
㉑	Check spring	Piano wire	4
㉒	Check ball	High carbon chromium bearing steel	4
㉓	Tie rod	Carbon steel for machine structural use (7 MPa: for $\phi 63 - \phi 140$ ) Chrome molybdenum steel (7 MPa: for $\phi 32 - \phi 50$ , 14 MPa)	4
㉔	Tie rod nut (type 2)	Carbon steel for machine structural use	8
㉕	Switch	—	—

- The quantities shown in the table above are applicable to the type with both ends cushioned.
- The item with the quantity in the ( ) mark may not be used depending on the bore and rod dia.



- Precautions for fitting of valve seals ④④, ④⑤

The valve seals, ④④ and ④⑤, must be fit in the specified direction and sequences. Wrong fitting direction and sequences will lead to the damaged packings, causing oil leak.

Fitting sequences

- ① Check the direction of a valve seal.  
The marked side must be faced inside (refer to Fig.1).
- ② Fit the valve seal to the shaft of the cushion valve or the shaft of the check plug in correct fitting direction (refer to Fig.2).
- ③ Take care to prevent the valve seal from being dropped, and screw it in (refer to Fig.3).

**Note** If the seal is first fit in the cover hole, and then, it is screwed in, it may be damaged.

Fig.1

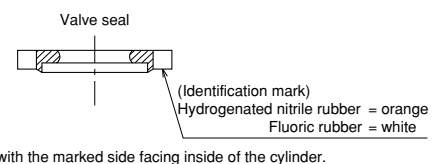
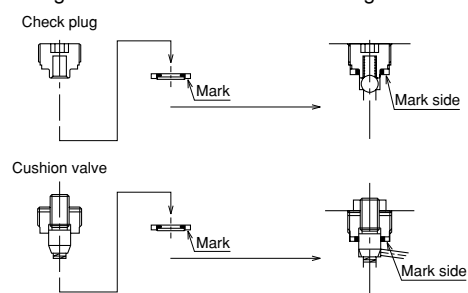


Fig.2



(Valve seal fitting sequences)

## Packing list

## Switch set/1 nitrile rubber (rod B) / 70H-8R, 140H-8R

No.	Parts name	Material	Q'ty	Parts code			
				φ32	φ40	φ50	φ63
25	Piston packing	Nitrile rubber	2	UHP-32	SKY-30	SKY-40	SKY-53
27	Rod packing	Nitrile rubber	1	SKY-18	SKY-22.4	SKY-28	SKY-35.5
28	Dust wiper	Nitrile rubber	1	SDR-18	SDR-22.4	SDR-28	SDR-35.5
29	Cover seal	Nitrile rubber	2	TT-32	TT-40	TT-50	TT-63
31	O-ring for piston rod	Nitrile rubber	1(2)	S-12.5	S-16	P-22	P-28
32	O-ring for cushion ring	Nitrile rubber	1	S-16	S-22.4	S-28	S-35.5
33	O-ring for bush	Nitrile rubber	1	P-22	G-25	G-30	G-40
34	Valve seal	Canned hydrogenated nitrile rubber	2	CX-12H	CX-12H	CX-12H	CX-12H
35	O-ring for cushion valve	Hydrogenated nitrile rubber	2	—	—	—	—
36	Valve seal	Canned hydrogenated nitrile rubber	4	CX-12H	CX-12H	CX-12H	CX-12H
Packing set	Double acting single rod cylinder	—	1 set	NH8R/PKS1-032B	NH8R/PKS1-040B	NH8R/PKS1-050B	NH8R/PKS1-063B

No.	Parts name	Material	Q'ty	Parts code			
				φ80	φ100	φ125	φ140
26	Piston packing	Nitrile rubber	2	SKY-71	SKY-85	SKY-112	SKY-125
27	Rod packing	Nitrile rubber	1	SKY-45A	SKY-56	SKY-71	SKY-80
28	Dust wiper	Nitrile rubber	1	SDR-45	SDR-56	SDR-71	SDR-80
30	Cover seal	Nitrile rubber	2	TT-80	TT-100	TT-125	TT-140
31	O-ring for piston rod	Nitrile rubber	1(2)	P-36	P-45	G-55	G-65
32	O-ring for cushion ring	Nitrile rubber	1	S-45	S-56	G-65	G-75
33	O-ring for bush	Nitrile rubber	1	G-50	G-60	G-75	G-85
34	Valve seal	Canned hydrogenated nitrile rubber	2	CX-14H	Note 1) CX-14H	CR-18H	CR-18H
35	O-ring for cushion valve	Hydrogenated nitrile rubber	2	—	—	S-7	S-7
36	Valve seal	Canned hydrogenated nitrile rubber	4	CX-14H	Note 1) CX-14H	CR-18H	CR-18H
Packing set	Double acting single rod cylinder	—	1 set	NH8R/PKS1-080B	NH8R/PKS1-100B	NH8R/PKS1-125B	NH8R/PKS1-140B

- The O-rings conform to JIS B2401-1A.
- The quantities of the O-ring for a piston rod in the ( ) are applicable to the types of φ32 and φ40 bores.
- For the arrangement of the packing set including wear rings, refer to the code for the arrangement of packing sets.

Note 1) The parts code of the cushion valve seal 34 and the check valve seal 36 applicable to the TA type rod cover of a 100 mm bore is CR-18H. The O-ring for cushion valve 35, S-7 is required for this type.

The packing set for the 100 mm bore type includes 2 pcs. of the CR-18H and 1 pce. of the S-7.

**Note** The nominal code of packings may be changed.

Switch set/2 urethane rubber (rod B) / 70H-8R, 140H-8R

No.	Parts name	Material	Q'ty	Parts code			
				$\phi 32$	$\phi 40$	$\phi 50$	$\phi 63$
26	Piston packing	Urethane rubber	2	Note 1) UHP-32	UHP-40	UHP-50	UHP-63
27	Rod packing Note 2)	Urethane rubber	1	ISI-18B (UHR-18)	ISI-22.4B (UHR-22.4)	ISI-28B (UHR-28)	ISI-35.5B (UHR-35.5)
28	Dust wiper	Urethane rubber	1	DHS-18	DHS-22.4	DHS-28	DHS-35.5
30	Cover seal	Nitrile rubber	2	TT-32	TT-40	TT-50	TT-63
31	O-ring for piston rod	Nitrile rubber	1(2)	S-12.5	S-16	P-22	P-28
32	O-ring for cushion ring	Nitrile rubber	1	S-16	S-22.4	S-28	S-35.5
33	O-ring for bush	Nitrile rubber	1	P-22	G-25	G-30	G-40
34	Valve seal	Canned hydrogenated nitrile rubber	2	CX-12H	CX-12H	CX-12H	CX-12H
35	O-ring for cushion valve	Hydrogenated nitrile rubber	2	—	—	—	—
36	Valve seal	Canned hydrogenated nitrile rubber	4	CX-12H	CX-12H	CX-12H	CX-12H
Packing set	Double acting single rod cylinder	—	1 set	NH8R/PKS2-032B	NH8R/PKS2-040B	NH8R/PKS2-050B	NH8R/PKS2-063B

No.	Parts name	Material	Q'ty	Parts code			
				$\phi 80$	$\phi 100$	$\phi 125$	$\phi 140$
26	Piston packing	Urethane rubber	2	UHP-80	UHP-100	UHP-125	UHP-140
27	Rod packing Note 2)	Urethane rubber	1	ISI-45AB (UHR-45)	ISI-56B (UHR-56)	ISI-71AB (UHR-71)	ISI-80B (UHR-80)
28	Dust wiper	Urethane rubber	1	DHS-45	DHS-56	DHS-71	DHS-80
30	Cover seal	Nitrile rubber	2	TT-80	TT-100	TT-125	TT-140
31	O-ring for piston rod	Nitrile rubber	1(2)	P-36	P-45	G-55	G-65
32	O-ring for cushion ring	Nitrile rubber	1	S-45	S-56	G-65	G-75
33	O-ring for bush	Nitrile rubber	1	G-50	G-60	G-75	G-85
34	Valve seal	Canned hydrogenated nitrile rubber	2	CX-14H	Note 3) CX-14H	CR-18H	CR-18H
35	O-ring for cushion valve	Hydrogenated nitrile rubber	2	—	—	S-7	S-7
36	Valve seal	Canned hydrogenated nitrile rubber	4	CX-14H	Note 3) CX-14H	CR-18H	CR-18H
Packing set	Double acting single rod cylinder	—	1 set	NH8R/PKS2-080B	NH8R/PKS2-100B	NH8R/PKS2-125B	NH8R/PKS2-140B

- The O-rings conform to JIS B2401-1A.
- The quantities of the O-ring for a piston rod in the ( ) are applicable to the types of  $\phi 32$  and  $\phi 40$  bores.
- For the arrangement of the packing set including wear rings, refer to the code for the arrangement of packing sets.

Note 1) The material of the piston packing of a bore of  $\phi 32$  is nitrile rubber.

Note 2) Rod seals ISI and UHR both are interchangeable with each other.

Note 3) The parts code of the cushion valve seal 34 and the check valve seal 36 applicable to the TA type rod cover of a 100 mm bore is CR-18H. The O-ring for cushion valve 35, S-7 is required for this type.

The packing set for the 100 mm bore type includes 2 pcs. of the CR-18H and 1 pce. of the S-7.

**Note** The nominal code of packings may be changed.

Switch set/**3** fluoric rubber (rod B/semi-standard) / 70H-8R, 140H-8R

No.	Parts name	Material	Q'ty	Parts code			
				φ32	φ40	φ50	φ63
26	Piston packing	Fluoric rubber	2	UHP-32	UHP-40	UHP-50	UHP-63
27	Rod packing	Fluoric rubber	1	UHR-18	UHR-22.4	UHR-28	UHR-35.5
28	Dust wiper	Fluoric rubber	1	DHS-18	DHS-22.4	DHS-28	DHS-35.5
29	Cover seal	Fluoric rubber	2	TT-32	TT-40	TT-50	TT-63
31	O-ring for piston rod	Fluoric rubber	1(2)	S-12.5	S-16	P-22	P-28
32	O-ring for cushion ring	Fluoric rubber	1	S-16	S-22.4	S-28	S-35.5
33	O-ring for bush	Fluoric rubber	1	P-22	G-25	G-30	G-40
34	Valve seal	Canned fluoric rubber	2	CX-12F	CX-12F	CX-12F	CX-12F
35	O-ring for cushion valve	Fluoric rubber	2	—	—	—	—
36	Valve seal	Canned fluoric rubber	4	CX-12F	CX-12F	CX-12F	CX-12F
Packing set	Double acting single rod cylinder	—	1 set	NH8R/PKS3-032B	NH8R/PKS3-040B	NH8R/PKS3-050B	NH8R/PKS3-063B

No.	Parts name	Material	Q'ty	Parts code			
				φ80	φ100	φ125	φ140
26	Piston packing	Fluoric rubber	2	UHP-80	UHP-100	UHP-125	UHP-140
27	Rod packing	Fluoric rubber	1	UHR-45	UHR-56	UHR-71	UHR-80
28	Dust wiper	Fluoric rubber	1	DHS-45	DHS-56	DHS-71	DHS-80
29	Cover seal	Fluoric rubber	2	TT-80	TT-100	TT-125	TT-140
31	O-ring for piston rod	Fluoric rubber	1(2)	P-36	P-45	G-55	G-65
32	O-ring for cushion ring	Fluoric rubber	1	S-45	S-56	G-65	G-75
33	O-ring for bush	Fluoric rubber	1	G-50	G-60	G-75	G-85
34	Valve seal	Canned fluoric rubber	2	CX-14F	Note 1) CX-14F	CR-18F	CR-18F
35	O-ring for cushion valve	Fluoric rubber	2	—	—	S-7	S-7
36	Valve seal	Canned fluoric rubber	4	CX-14F	Note 1) CX-14F	CR-18F	CR-18F
Packing set	Double acting single rod cylinder	—	1 set	NH8R/PKS3-080B	NH8R/PKS3-100B	NH8R/PKS3-125B	NH8R/PKS3-140B

- The O-rings conform to JIS B2401-4D (Hs70).
- The quantities of the O-ring for a piston rod in the ( ) are applicable to the types of φ32 and φ40 bores.
- For the arrangement of the packing set including wear rings, refer to the code for the arrangement of packing sets.

Note 1) The parts code of the cushion valve seal 34 and the check valve seal 36 applicable to the TA type rod cover of a 100 mm bore is CR-18F. The O-ring for cushion valve 35, S-7 is required for this type.

The packing set for the 100 mm bore type includes 2 pcs. of the CR-18F and 1 pce. of the S-7.

**Note** The nominal code of packings may be changed.

Switch set/6 hydrogenated nitrile rubber (rod B/semi-standard) / 70H-8R, 140H-8R

No.	Parts name	Material	Q'ty	Parts code			
				φ32	φ40	φ50	φ63
26	Piston packing	Hydrogenated nitrile rubber	2	UHP-32	UHP-40	UHP-50	UHP-63
27	Rod packing	Hydrogenated nitrile rubber	1	UHR-18	UHR-22.4	UHR-28	UHR-35.5
28	Dust wiper	Hydrogenated nitrile rubber	1	DHS-18	DHS-22.4	DHS-28	DHS-35.5
29	Cover seal	Hydrogenated nitrile rubber	2	TT-32	TT-40	TT-50	TT-63
31	O-ring for piston rod	Hydrogenated nitrile rubber	1(2)	S-12.5	S-16	P-22	P-28
32	O-ring for cushion ring	Hydrogenated nitrile rubber	1	S-16	S-22.4	S-28	S-35.5
33	O-ring for bush	Hydrogenated nitrile rubber	1	P-22	G-25	G-30	G-40
34	Valve seal	Canned hydrogenated nitrile rubber	2	CX-12H	CX-12H	CX-12H	CX-12H
35	O-ring for cushion valve	Hydrogenated nitrile rubber	2	—	—	—	—
36	Valve seal	Canned hydrogenated nitrile rubber	4	CX-12H	CX-12H	CX-12H	CX-12H
Packing set	Double acting single rod cylinder	—	1 set	NH8R/PKS6-032B	NH8R/PKS6-040B	NH8R/PKS6-050B	NH8R/PKS6-063B

No.	Parts name	Material	Q'ty	Parts code			
				φ80	φ100	φ125	φ140
26	Piston packing	Hydrogenated nitrile rubber	2	UHP-80	UHP-100	UHP-125	UHP-140
27	Rod packing	Hydrogenated nitrile rubber	1	UHR-45	UHR-56	UHR-71	UHR-80
28	Dust wiper	Hydrogenated nitrile rubber	1	DHS-45	DHS-56	DHS-71	DHS-80
29	Cover seal	Hydrogenated nitrile rubber	2	TT-80	TT-100	TT-125	TT-140
31	O-ring for piston rod	Hydrogenated nitrile rubber	1(2)	P-36	P-45	G-55	G-65
32	O-ring for cushion ring	Hydrogenated nitrile rubber	1	S-45	S-56	G-65	G-75
33	O-ring for bush	Hydrogenated nitrile rubber	1	G-50	G-60	G-75	G-85
34	Valve seal	Canned hydrogenated nitrile rubber	2	CX-14H	Note 1) CX-14H	CR-18H	CR-18H
35	O-ring for cushion valve	Hydrogenated nitrile rubber	2	—	—	S-7	S-7
36	Valve seal	Canned hydrogenated nitrile rubber	4	CX-14H	Note 1) CX-14H	CR-18H	CR-18H
Packing set	Double acting single rod cylinder	—	1 set	NH8R/PKS6-080B	NH8R/PKS6-100B	NH8R/PKS6-125B	NH8R/PKS6-140B

- The hardness of the O-ring for piston rod S-12.5 **31** of a bore of φ32 and the O-ring for cushion valve **35** is Hs 70, and that of other O-rings is Hs 90.
- The quantities of the O-ring for a piston rod in the ( ) are applicable to the types of φ32 and φ40 bores.
- For the arrangement of the packing set including wear rings, refer to the code for the packing set arrangement.

Note 1) The parts code of the cushion valve seal **34** and the check valve seal **36** applicable to the TA type rod cover of a 100 mm bore is CR-18H. The O-ring for cushion valve **35**, S-7 is required for this type.

The packing set for the 100 mm bore type includes 2 pcs. of the CR-18H and 1 pce. of the S-7.

**Note** The nominal code of packings may be changed.

## Packing list

Switch set/**1** nitrile rubber (rod C) / 70H-8R, 140H-8R

No.	Parts name	Material	Q'ty	Parts code						
				φ40	φ50	φ63	φ80	φ100	φ125	φ140
25	Piston packing	Nitrile rubber	2	SKY-30	SKY-40	SKY-53	SKY-71	SKY-85	SKY-112	SKY-125
27	Rod packing	Nitrile rubber	1	SKY-18	SKY-22.4	SKY-28	SKY-35.5	SKY-45A	SKY-56	SKY-63
28	Dust wiper	Nitrile rubber	1	SDR-18	SDR-22.4	SDR-28	SDR-35.5	SDR-45	SDR-56	SDR-63
29	Cover seal	Nitrile rubber	2	TT-40	TT-50	TT-63	TT-80	TT-100	TT-125	TT-140
31	O-ring for piston rod	Nitrile rubber	1	P-15	P-18	P-24	P-30	P-36	P-45	P-50
32	O-ring for cushion ring	Nitrile rubber	1	P-18	P-22.4	P-28	P-35.5	G-45	G-55	G-60
33	O-ring for bush	Nitrile rubber	1	G-25	G-30	G-40	G-50	G-60	G-75	G-85
34	Valve seal	Canned hydrogenated nitrile rubber	2	CX-12H	CX-12H	CX-12H	CX-14H	Note 1) CX-14H	CR-18H	CR-18H
35	O-ring for cushion valve	Hydrogenated nitrile rubber	2	—	—	—	—	—	S-7	S-7
36	Valve seal	Canned hydrogenated nitrile rubber	4	CX-12H	CX-12H	CX-12H	CX-14H	Note 1) CX-14H	CR-18H	CR-18H
Packing set	Double acting single rod cylinder	—	1 set	NH8R/PKS1-040C	NH8R/PKS1-050C	NH8R/PKS1-063C	NH8R/PKS1-080C	NH8R/PKS1-100C	NH8R/PKS1-125C	NH8R/PKS1-140C

• The O-rings conform to JIS B2401-1A.

• For the arrangement of the packing set including wear rings, refer to the code for the packing set arrangement.

Note 1) The parts code of the cushion valve seal **34** and the check valve seal **36** applicable to the TA type rod cover of a 100 mm bore is CR-18H. The O-ring for cushion valve **35**, S-7 is required for this type.

The packing set for the 100 mm bore type includes 2 pcs. of the CR-18H and 1 pce. of the S-7.

**Note** The nominal code of packings may be changed.

Switch set/**2** urethane rubber (rod C) / 70H-8R, 140H-8R

No.	Parts name	Material	Q'ty	Parts code						
				φ40	φ50	φ63	φ80	φ100	φ125	φ140
25	Piston packing	Urethane rubber	2	UHP-40	UHP-50	UHP-63	UHP-80	UHP-100	UHP-125	UHP-140
27	Rod packing	Urethane rubber	1	ISI-18B (UHR-18)	ISI-22.4B (UHR-22.4)	ISI-28B (UHR-28)	ISI-35.5B (UHR-35.5)	ISI-45AB (UHR-45)	ISI-56B (UHR-56)	ISI-63B (UHR-63)
28	Dust wiper	Urethane rubber	1	DHS-18	DHS-22.4	DHS-28	DHS-35.5	DHS-45	DHS-56	DHS-63
29	Cover seal	Nitrile rubber	2	TT-40	TT-50	TT-63	TT-80	TT-100	TT-125	TT-140
31	O-ring for piston rod	Nitrile rubber	1	P-15	P-18	P-24	P-30	P-36	P-45	P-50
32	O-ring for cushion ring	Nitrile rubber	1	P-18	P-22.4	P-28	P-35.5	G-45	G-55	G-60
33	O-ring for bush	Nitrile rubber	1	G-25	G-30	G-40	G-50	G-60	G-75	G-85
34	Valve seal	Canned hydrogenated nitrile rubber	2	CX-12H	CX-12H	CX-12H	CX-14H	Note 2) CX-14H	CR-18H	CR-18H
35	O-ring for cushion valve	Hydrogenated nitrile rubber	2	—	—	—	—	—	S-7	S-7
36	Valve seal	Canned hydrogenated nitrile rubber	4	CX-12H	CX-12H	CX-12H	CX-14H	Note 2) CX-14H	CR-18H	CR-18H
Packing set	Double acting single rod cylinder	—	1 set	NH8R/PKS2-040C	NH8R/PKS2-050C	NH8R/PKS2-063C	NH8R/PKS2-080C	NH8R/PKS2-100C	NH8R/PKS2-125C	NH8R/PKS2-140C

• The O-rings conform to JIS B2401-1A.

• For the arrangement of the packing set including wear rings, refer to the code for the packing set arrangement.

Note 1) Rod seals ISI and UHR both are interchangeable with each other.

Note 2) The parts code of the cushion valve seal **34** and the check valve seal **36** applicable to the TA type rod cover of a 100 mm bore is CR-18H. The O-ring for cushion valve **35**, S-7 is required for this type.

The packing set for the 100 mm bore type includes 2 pcs. of the CR-18H and 1 pce. of the S-7.

**Note** The nominal code of packings may be changed.

Switch set/**3** fluoric rubber (rod C/semi-standard) / 70H-8R, 140H-8R

No.	Parts name	Material	Q'ty	Parts code						
				φ40	φ50	φ63	φ80	φ100	φ125	φ140
26	Piston packing	Fluoric rubber	2	UHP-40	UHP-50	UHP-63	UHP-80	UHP-100	UHP-125	UHP-140
27	Rod packing	Fluoric rubber	1	UHR-18	UHR-22.4	UHR-28	UHR-35.5	UHR-45	UHR-56	UHR-63
28	Dust wiper	Fluoric rubber	1	DHS-18	DHS-22.4	DHS-28	DHS-35.5	DHS-45	DHS-56	DHS-63
29	Cover seal	Fluoric rubber	2	TT-40	TT-50	TT-63	TT-80	TT-100	TT-125	TT-140
31	O-ring for piston rod	Fluoric rubber	1	P-15	P-18	P-24	P-30	P-36	P-45	P-50
32	O-ring for cushion ring	Fluoric rubber	1	P-18	P-22.4	P-28	P-35.5	G-45	G-55	G-60
33	O-ring for bush	Fluoric rubber	1	G-25	G-30	G-40	G-50	G-60	G-75	G-85
34	Valve seal	Canned fluoric rubber	2	CX-12F	CX-12F	CX-12F	CX-14F	Note 1) CX-14F	CR-18F	CR-18F
35	O-ring for cushion valve	Fluoric rubber	2	—	—	—	—	—	S-7	S-7
36	Valve seal	Canned fluoric rubber	4	CX-12F	CX-12F	CX-12F	CX-14F	Note 1) CX-14F	CR-18F	CR-18F
Packing set	Double acting single rod cylinder	—	1 set	NH8R/PKS3-040C	NH8R/PKS3-050C	NH8R/PKS3-063C	NH8R/PKS3-080C	NH8R/PKS3-100C	NH8R/PKS3-125C	NH8R/PKS3-140C

- The O-rings conform to JIS B2401-4D (Hs70).
- For the arrangement of the packing set including wear rings, refer to the code for the packing set arrangement.

Note 1) The parts code of the cushion valve seal **34** and the check valve seal **36** applicable to the TA type rod cover of a 100 mm bore is CR-18F. The O-ring for cushion valve **35**, S-7 is required for this type.

The packing set for the 100 mm bore type includes 2 pcs. of the CR-18F and 1 pce. of the S-7.

**Note** The nominal code of packings may be changed.

Switch set/**6** hydrogenated nitrile rubber (rod C/semi-standard) / 70H-8R, 140H-8R

No.	Parts name	Material	Q'ty	Parts code						
				φ40	φ50	φ63	φ80	φ100	φ125	φ140
26	Piston packing	Hydrogenated nitrile rubber	2	UHP-40	UHP-50	UHP-63	UHP-80	UHP-100	UHP-125	UHP-140
27	Rod packing	Hydrogenated nitrile rubber	1	UHR-18	UHR-22.4	UHR-28	UHR-35.5	UHR-45	UHR-56	UHR-63
28	Dust wiper	Hydrogenated nitrile rubber	1	DHS-18	DHS-22.4	DHS-28	DHS-35.5	DHS-45	DHS-56	DHS-63
29	Cover seal	Hydrogenated nitrile rubber	2	TT-40	TT-50	TT-63	TT-80	TT-100	TT-125	TT-140
31	O-ring for piston rod	Hydrogenated nitrile rubber	1	P-15	P-18	P-24	P-30	P-36	P-45	P-50
32	O-ring for cushion ring	Hydrogenated nitrile rubber	1	P-18	P-22.4	P-28	P-35.5	G-45	G-55	G-60
33	O-ring for bush	Hydrogenated nitrile rubber	1	G-25	G-30	G-40	G-50	G-60	G-75	G-85
34	Valve seal	Canned hydrogenated nitrile rubber	2	CX-12H	CX-12H	CX-12H	CX-14H	Note 1) CX-14H	CR-18H	CR-18H
35	O-ring for cushion valve	Hydrogenated nitrile rubber	2	—	—	—	—	—	S-7	S-7
36	Valve seal	Canned hydrogenated nitrile rubber	4	CX-12H	CX-12H	CX-12H	CX-14H	Note 1) CX-14H	CR-18H	CR-18H
Packing set	Double acting single rod cylinder	—	1 set	NH8R/PKS6-040C	NH8R/PKS6-050C	NH8R/PKS6-063C	NH8R/PKS6-080C	NH8R/PKS6-100C	NH8R/PKS6-125C	NH8R/PKS6-140C

- The hardness of the O-ring for cushion valve **35** is Hs70, and that of other O-ring is Hs90.
- For the arrangement of the packing set including wear rings, refer to the code for the packing set arrangement.

Note 1) The parts code of the cushion valve seal **34** and the check valve seal **36** applicable to the TA type rod cover of a 100 mm bore is CR-18H. The O-ring for cushion valve **35**, S-7 is required for this type.

The packing set for the 100 mm bore type includes 2 pcs. of the CR-18H and 1 pce. of the S-7.

**Note** The nominal code of packings may be changed.

## Packing list

Switch set/**1** nitrile rubber (rod A) / 70H-8R, 140H-8R

No.	Parts name	Material	Q'ty	Parts code					
				φ40	φ50	φ63	φ80	φ100	φ125
25	Piston packing	Nitrile rubber	2	SKY-30	SKY-40	SKY-53	SKY-71	SKY-85	SKY-112
27	Rod packing	Nitrile rubber	1	SKY-28	SKY-35.5	SKY-45A	SKY-56	SKY-71	SKY-90
28	Dust wiper	Nitrile rubber	1	SDR-28	SDR-35.5	SDR-45	SDR-56	SDR-71	SDR-90
29	Cover seal	Nitrile rubber	2	TT-40	TT-50	TT-63	TT-80	TT-100	TT-125
31	O-ring for piston rod	Nitrile rubber	1(2)	S-16	P-22	P-28	P-36	P-45	G-55
32	O-ring for cushion ring	Nitrile rubber	1	S-22.4	S-28	S-35.5	S-45	S-56	G-65
33	O-ring for bush	Nitrile rubber	1	G-30	G-40	G-50	G-60	G-75	G-95
34	Valve seal	Canned hydrogenated nitrile rubber	2	CX-12H	CX-12H	CX-12H	CX-14H	Note 1) CX-14H	CR-18H
35	O-ring for cushion valve	Hydrogenated nitrile rubber	2	—	—	—	—	—	S-7
36	Valve seal	Canned hydrogenated nitrile rubber	4	CX-12H	CX-12H	CX-12H	CX-14H	Note 1) CX-14H	CR-18H
Packing set	Double acting single rod cylinder	—	1 set	NH8R/PKS1-040A	NH8R/PKS1-050A	NH8R/PKS1-063A	NH8R/PKS1-080A	NH8R/PKS1-100A	NH8R/PKS1-125A

- The O-rings conform to JIS B2401-1A.
- The parenthetic quantities of piston rod O-ring are for 32mm and 40mm bore.
- For the arrangement of the packing set including wear rings, refer to the code for the packing set arrangement.

Note 1) The parts code of the cushion valve seal **34** and the check valve seal **36** applicable to the TA type cover of a 100 mm bore is CR-18H. The O-ring for cushion valve **35**, S-7 is required for this type.

The packing set for the 100 mm bore type includes 2 pcs. of the CR-18H and 1 pce. of the S-7.

**Note** The nominal code of packings may be changed.

Switch set/**2** urethane rubber (rod A) / 70H-8R, 140H-8R

No.	Parts name	Material	Q'ty	Parts code					
				φ40	φ50	φ63	φ80	φ100	φ125
25	Piston packing	Urethane rubber	2	UHP-40	UHP-50	UHP-63	UHP-80	UHP-100	UHP-125
27	Rod packing Note 1)	Urethane rubber	1	ISI-28B (UHR-28)	ISI-35.5B (UHR-35.5)	ISI-45AB (UHR-45)	ISI-56B (UHR-56)	ISI-71AB (UHR-71)	ISI-90B (UHR-90)
28	Dust wiper	Urethane rubber	1	DHS-28	DHS-35.5	DHS-45	DHS-56	DHS-71	DHS-90
29	Cover seal	Nitrile rubber	2	TT-40	TT-50	TT-63	TT-80	TT-100	TT-125
31	O-ring for piston rod	Nitrile rubber	1	S-16	P-22	P-28	P-36	P-45	G-55
32	O-ring for cushion ring	Nitrile rubber	1	S-22.4	S-28	S-35.5	S-45	S-56	G-65
33	O-ring for bush	Nitrile rubber	1	G-30	G-40	G-50	G-60	G-75	G-95
34	Valve seal	Canned hydrogenated nitrile rubber	2	CX-12H	CX-12H	CX-12H	CX-14H	Note 2) CX-14H	CR-18H
35	O-ring for cushion valve	Hydrogenated nitrile rubber	2	—	—	—	—	—	S-7
36	Valve seal	Canned hydrogenated nitrile rubber	4	CX-12H	CX-12H	CX-12H	CX-14H	Note 2) CX-14H	CR-18H
Packing set	Double acting single rod cylinder	—	1 set	NH8R/PKS2-040A	NH8R/PKS2-050A	NH8R/PKS2-063A	NH8R/PKS2-080A	NH8R/PKS2-100A	NH8R/PKS2-125A

- The O-rings conform to JIS B2401-1A.
- The parenthetic quantities of piston rod O-ring are for 32mm and 40mm bore.
- For the arrangement of the packing set including wear rings, refer to the code for the packing set arrangement.

Note 1) Rod seals ISI and UHR both are interchangeable with each other.

Note 2) The parts code of the cushion valve seal **34** and the check valve seal **36** applicable to the TA type rod cover of a 100 mm bore is CR-18H. The O-ring for cushion valve **35**, S-7 is required for this type.

The packing set for the 100 mm bore type includes 2 pcs. of the CR-18H and 1 pce. of the S-7.

**Note** The nominal code of packings may be changed.

Switch set/**3** fluoric rubber (rod A/semi-standard) / 70H-8R, 140H-8R

No.	Parts name	Material	Q'ty	Parts code					
				φ40	φ50	φ63	φ80	φ100	φ125
26	Piston packing	Fluoric rubber	2	UHP-40	UHP-50	UHP-63	UHP-80	UHP-100	UHP-125
27	Rod packing	Fluoric rubber	1	UHR-28	UHR-35.5	UHR-45	UHR-56	UHR-71	UHR-90
28	Dust wiper	Fluoric rubber	1	DHS-28	DHS-35.5	DHS-45	DHS-56	DHS-71	DHS-90
29	Cover seal	Fluoric rubber	2	TT-40	TT-50	TT-63	TT-80	TT-100	TT-125
31	O-ring for piston rod	Fluoric rubber	1(2)	S-16	P-22	P-28	P-36	P-45	G-55
32	O-ring for cushion ring	Fluoric rubber	1	S-22.4	S-28	S-35.5	S-45	S-56	G-65
33	O-ring for bush	Fluoric rubber	1	G-30	G-40	G-50	G-60	G-75	G-95
34	Valve seal	Canned fluoric rubber	2	CX-12F	CX-12F	CX-12F	CX-14F	Note 1) CX-14F	CR-18F
35	O-ring for cushion valve	Fluoric rubber	2	—	—	—	—	—	S-7
36	Valve seal	Canned fluoric rubber	4	CX-12F	CX-12F	CX-12F	CX-14F	Note 1) CX-14F	CR-18F
Packing set	Double acting single rod cylinder	—	1 set	NH8R/PKS3-040A	NH8R/PKS3-050A	NH8R/PKS3-063A	NH8R/PKS3-080A	NH8R/PKS3-100A	NH8R/PKS3-125A

- The O-rings conform to JIS B2401-4D (Hs70).
- For the arrangement of the packing set including wear rings, refer to the code for the packing set arrangement.
- The parenthetic quantities of piston rod O-ring are for 32mm and 40mm bore.

Note 1) The parts code of the cushion valve seal **34** and the check valve seal **36** applicable to the TA type rod cover of a 100 mm bore is CR-18F. The O-ring for cushion valve **35**, S-7 is required for this type.

The packing set for the 100 mm bore type includes 2 pcs. of the CR-18F and 1 pce. of the S-7.

**Note** The nominal code of packings may be changed.

Switch set/**6** hydrogenated nitrile rubber (rod A/semi-standard) / 70H-8R, 140H-8R

No.	Parts name	Material	Q'ty	Parts code					
				φ40	φ50	φ63	φ80	φ100	φ125
26	Piston packing	Hydrogenated nitrile rubber	2	UHP-40	UHP-50	UHP-63	UHP-80	UHP-100	UHP-125
27	Rod packing	Hydrogenated nitrile rubber	1	UHR-28	UHR-35.5	UHR-45	UHR-56	UHR-71	UHR-90
28	Dust wiper	Hydrogenated nitrile rubber	1	DHS-28	DHS-35.5	DHS-45	DHS-56	DHS-71	DHS-90
29	Cover seal	Hydrogenated nitrile rubber	2	TT-40	TT-50	TT-63	TT-80	TT-100	TT-125
31	O-ring for piston rod	Hydrogenated nitrile rubber	1(2)	S-16	P-22	P-28	P-36	P-45	G-55
32	O-ring for cushion ring	Hydrogenated nitrile rubber	1	S-22.4	S-28	S-35.5	S-45	S-56	G-65
33	O-ring for bush	Hydrogenated nitrile rubber	1	G-30	G-40	G-50	G-60	G-75	G-95
34	Valve seal	Canned hydrogenated nitrile rubber	2	CX-12H	CX-12H	CX-12H	CX-14H	Note 1) CX-14H	CR-18H
35	O-ring for cushion valve	Hydrogenated nitrile rubber	2	—	—	—	—	—	S-7
36	Valve seal	Canned hydrogenated nitrile rubber	4	CX-12H	CX-12H	CX-12H	CX-14H	Note 1) CX-14H	CR-18H
Packing set	Double acting single rod cylinder	—	1 set	NH8R/PKS6-040A	NH8R/PKS6-050A	NH8R/PKS6-063A	NH8R/PKS6-080A	NH8R/PKS6-100A	NH8R/PKS6-125A

- The hardness of the O-ring for cushion valve **35** is Hs70, and that of other O-ring is Hs90.
- For the arrangement of the packing set including wear rings, refer to the code for the packing set arrangement.
- The parenthetic quantities of piston rod O-ring are for 32mm and 40mm bore.

Note 1) The parts code of the cushion valve seal **34** and the check valve seal **36** applicable to the TA type rod cover of a 100 mm bore is CR-18H. The O-ring for cushion valve **35**, S-7 is required for this type.

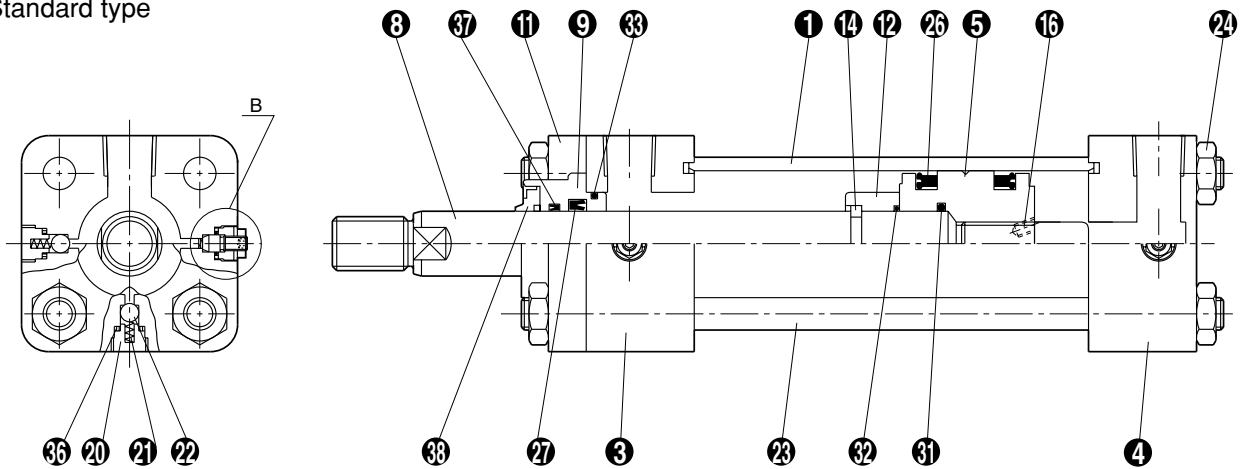
The packing set for the 100 mm bore type includes 2 pcs. of the CR-18H and 1 pce. of the S-7.

**Note** The nominal code of packings may be changed.

### Double acting single rod/cutting fluid proof type 70HW-8, 140HW-8, 70HW-8R, 140HW-8R (rod B/rod C)

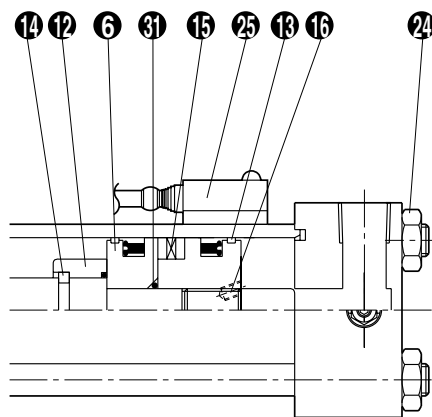
- Bore  $\phi 32 - \phi 125$

Standard type



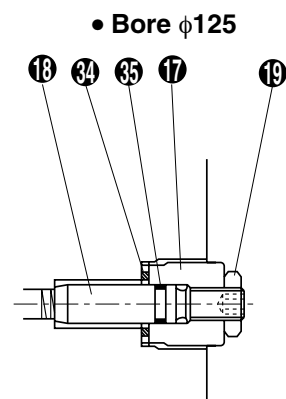
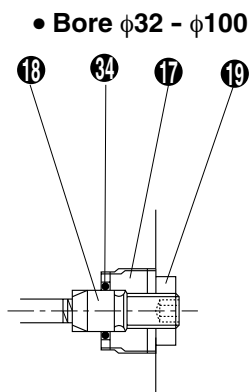
- The detailed structure of the piston varies depending on the bore.
- Wiper-seal part is specially designed in order to prevent the invasion of foreign body.

- Switch set (piston structure)



The detailed structure of the piston varies depending on the bore. The structure of other sections is common to the standard type.

### Enlarged drawing of B (cushion valve)

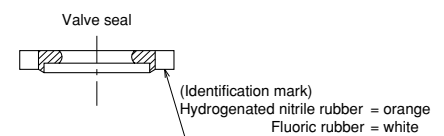


## Parts list

No.	Name	Material	Q'ty
❶	Cylinder tube	Standard type: carbon steel for machine structural use Switch set: stainless steel	1
❸	Rod cover	Carbon steel for machine structural use ( $\phi 32 - \phi 80$ ) Structural rolled steel ( $\phi 100 - \phi 125$ )	1
❹	Head cover	Carbon steel for machine structural use ( $\phi 32 - \phi 80$ ) Structural rolled steel ( $\phi 100 - \phi 125$ )	1
❺	Piston	Gray cast iron	1
❻	Piston R	Special copper alloy	1
❼	Piston H	Special copper alloy	1
❽	Piston rod	Carbon steel for machine structural use	1
❾	Bush	Copper alloy	1
❾	Retainer	Carbon steel for machine structural use ( $\phi 32 - \phi 80$ ) Structural rolled steel ( $\phi 100 - \phi 125$ )	1
❿	Cushion ring	Cast iron	1
⓫	Wear ring	Synthetic resin	2
⓬	Stop ring	Carbon steel for machine structural use	( 1 )
⓭	Magnet	—	—
⓮	Set screw	Chrome molybdenum steel	1
⓯	Cushion plug	Carbon steel for machine structural use	2
⓰	Cushion valve	Chrome molybdenum steel	2
⓱	Cushion lock nut	Structural rolled steel	2
⓲	Check plug	Carbon steel for machine structural use	4
⓳	Check spring	Piano wire	4
⓴	Check ball	High carbon chromium bearing steel	4
⓵	Tie rod	Carbon steel for machine structural use (7 MPa: for $\phi 63 - \phi 125$ ) Chrome molybdenum steel (7 MPa: for $\phi 32 - \phi 50$ , 14 MPa)	4
⓶	Tie rod nut (type 2)	Carbon steel for machine structural use	8
⓷	Switch	—	—

- The quantities shown in the table above are applicable to the type with both ends cushioned.
- The item with the quantity in the ( ) mark may not be used depending on the bore and rod dia.

Fig.1



Fit with the marked side facing inside of the cylinder.



- Precautions for fitting of valve seals ❸, ❹

The valve seals, ❸ and ❹, must be fit in the specified direction and sequences. Wrong fitting direction and sequences will lead to the damaged packings, causing oil leak.

Fitting sequences

- ① Check the direction of a valve seal.  
The marked side must be faced inside (refer to Fig.1).
- ② Fit the valve seal to the shaft of the cushion valve or the shaft of the check plug in correct fitting direction (refer to Fig.2).
- ③ Take care to prevent the valve seal from being dropped, and screw it in (refer to Fig.3).

Fig.2

Check plug

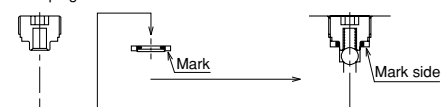
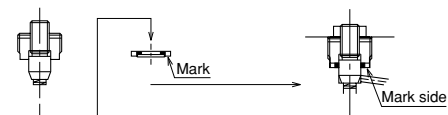


Fig.3

Cushion valve



(Valve seal fitting sequences)

**Note** If the seal is first fit in the cover hole, and then, it is screwed in, it may be damaged.

## Packing list

Standard type/**6** cutting fluid proof type (rod B) / 70HW-8, 140HW-8

No.	Parts name	Material	Q'ty	Parts code						
				φ32	φ40	φ50	φ63	φ80	φ100	φ125
25	Piston packing	Hydrogenated nitrile rubber	2	UHP-32	UHP-40	UHP-50	UHP-63	UHP-80	UHP-100	UHP-125
27	Rod packing	Hydrogenated nitrile rubber	1	UHR-18	UHR-22.4	UHR-28	UHR-35.5	UHR-45	UHR-56	UHR-71
38	Dust wiper 1	Canned hydrogenated nitrile rubber	1	(DYL-18)	(DYL-22.4)	(DYL-28)	(DYL-35.5)	(DYL-45)	(DYL-56)	(DYL-71)
37	Dust wiper 2	Hydrogenated nitrile rubber	1	UMD-18	UMD-22.4	UMD-28	UMD-35.5	UMD-45	UMD-56	UMD-71
29	Cover seal	Hydrogenated nitrile rubber	2	TT-32	TT-40	TT-50	TT-63	TT-80	TT-100	TT-125
31	O-ring for piston rod	Hydrogenated nitrile rubber	1	S-14	S-20	S-25	P-35.5	G-45	G-55	G-65
32	O-ring for cushion ring	Hydrogenated nitrile rubber	1	S-16	S-22.4	S-28	S-35.5	S-45	S-56	G-65
33	O-ring for bush	Hydrogenated nitrile rubber	1	G-25	G-30	G-40	G-40	G-50	G-60	G-75
34	Valve seal	Canned hydrogenated nitrile rubber	2	CX-12H	CX-12H	CX-12H	CX-12H	CX-14H	Note 1) CX-14H	CR-18H
35	O-ring for cushion valve	Hydrogenated nitrile rubber	2	—	—	—	—	—	—	S-7
36	Valve seal	Canned hydrogenated nitrile rubber	4	CX-12H	CX-12H	CX-12H	CX-12H	CX-14H	Note 1) CX-14H	CR-18H
Packing set	Double acting single rod cylinder	—	1 set	NHW8/PKS6-032B	NHW8/PKS6-040B	NHW8/PKS6-050B	NHW8/PKS6-063B	NHW8/PKS6-080B	NHW8/PKS6-100B	NHW8/PKS6-125B

- The hardness of the O-ring for cushion valve 35 is Hs 70, and that of other O-rings is Hs90.
- The dust wiper 1 38 is pressed in the bush to be incorporated with it, and cannot be replaced singly. When replacing, replace together with the bush.

Note 1) The parts code of the cushion valve seal 34 and the check valve seal 36 applicable to the TA type rod cover of a 100 mm bore is CR-18H. The O-ring for cushion valve 35, S-7 is required for this type.

The packing set for the 100 mm bore type includes 2 pcs. of the CR-18H and 1 pce. of the S-7.

**Note** The nominal code of packings may be changed.

Standard type/**6** cutting fluid proof type (rod C) / 70HW-8, 140HW-8

No.	Parts name	Material	Q'ty	Parts code					
				φ40	φ50	φ63	φ80	φ100	φ125
25	Piston packing	Hydrogenated nitrile rubber	2	UHP-40	UHP-50	UHP-63	UHP-80	UHP-100	UHP-125
27	Rod packing	Hydrogenated nitrile rubber	1	UHR-18	UHR-22.4	UHR-28	UHR-35.5	UHR-45	UHR-56
38	Dust wiper 1	Canned hydrogenated nitrile rubber	1	(DYL-22.4)	(DYL-28)	(DYL-35.5)	(DYL-45)	(DYL-56)	(DYL-71)
37	Dust wiper 2	Hydrogenated nitrile rubber	1	UMD-18	UMD-22.4	UMD-28	UMD-35.5	UMD-45	UMD-56
29	Cover seal	Hydrogenated nitrile rubber	2	TT-40	TT-50	TT-63	TT-80	TT-100	TT-125
31	O-ring for piston rod	Hydrogenated nitrile rubber	1	P-18	P-22.4	P-28	P-35.5	G-45	G-55
32	O-ring for cushion ring	Hydrogenated nitrile rubber	1	P-18	P-22.4	P-28	P-35.5	G-45	G-55
33	O-ring for bush	Hydrogenated nitrile rubber	1	G-25	G-30	G-40	G-50	G-60	G-75
34	Valve seal	Canned hydrogenated nitrile rubber	2	CX-12H	CX-12H	CX-12H	CX-14H	Note 1) CX-14H	CR-18H
35	O-ring for cushion valve	Hydrogenated nitrile rubber	2	—	—	—	—	—	S-7
36	Valve seal	Canned hydrogenated nitrile rubber	4	CX-12H	CX-12H	CX-12H	CX-14H	Note 1) CX-14H	CR-18H
Packing set	Double acting single rod cylinder	—	1 set	NHW8/PKS6-040C	NHW8/PKS6-050C	NHW8/PKS6-063C	NHW8/PKS6-080C	NHW8/PKS6-100C	NHW8/PKS6-125C

- The hardness of the O-ring for cushion valve 35 is Hs 70, and that of other O-rings is Hs90.
- The dust wiper 1 38 is pressed in the bush to be incorporated with it, and cannot be replaced singly. When replacing, replace together with the bush.

Note 1) The parts code of the cushion valve seal 34 and the check valve seal 36 applicable to the TA type rod cover of a 100 mm bore is CR-18H. The O-ring for cushion valve 35, S-7 is required for this type.

The packing set for the 100 mm bore type includes 2 pcs. of the CR-18H and 1 pce. of the S-7.

**Note** The nominal code of packings may be changed.

## Switch set/6 cutting fluid proof type (rod B) / 70HW-8R, 140HW-8R

No.	Parts name	Material	Q'ty	Parts code						
				φ32	φ40	φ50	φ63	φ80	φ100	φ125
26	Piston packing	Hydrogenated nitrile rubber	2	UHP-32	UHP-40	UHP-50	UHP-63	UHP-80	UHP-100	UHP-125
27	Rod packing	Hydrogenated nitrile rubber	1	UHR-18	UHR-22.4	UHR-28	UHR-35.5	UHR-45	UHR-56	UHR-71
33	Dust wiper 1	Canned hydrogenated nitrile rubber	1	(DYL-18)	(DYL-22.4)	(DYL-28)	(DYL-35.5)	(DYL-45)	(DYL-56)	(DYL-71)
37	Dust wiper 2	Hydrogenated nitrile rubber	1	UMD-18	UMD-22.4	UMD-28	UMD-35.5	UMD-45	UMD-56	UMD-71
29	Cover seal	Hydrogenated nitrile rubber	2	TT-32	TT-40	TT-50	TT-63	TT-80	TT-100	TT-125
31	O-ring for piston rod	Hydrogenated nitrile rubber	1(2)	S-12.5	S-16	P-22	P-28	P-36	P-45	G-55
32	O-ring for cushion ring	Hydrogenated nitrile rubber	1	S-16	S-22.4	S-28	S-35.5	S-45	S-56	G-65
33	O-ring for bush	Hydrogenated nitrile rubber	1	G-25	G-30	G-40	G-40	G-50	G-60	G-75
34	Valve seal	Canned hydrogenated nitrile rubber	2	CX-12H	CX-12H	CX-12H	CX-12H	CX-14H	Note 1) CX-14H	CR-18H
35	O-ring for cushion valve	Hydrogenated nitrile rubber	2	—	—	—	—	—	—	S-7
36	Valve seal	Canned hydrogenated nitrile rubber	4	CX-12H	CX-12H	CX-12H	CX-12H	CX-14H	Note 1) CX-14H	CR-18H
Packing set	Double acting single rod cylinder	—	1 set	NHW8R/PKS6	NHW8R/PKS6	NHW8R/PKS6	NHW8R/PKS6	NHW8R/PKS6	NHW8R/PKS6	NHW8R/PKS6
				-032B	-040B	-050B	-063B	-080B	-100B	-125B

- The hardness of the O-ring for piston rod S-12.5 of a bore of φ32 31 and the O-ring for cushion valve 35 is Hs 70, and that of other O-rings is Hs 90.
  - The quantities of the O-ring for piston rod in the ( ) are applicable to the types of φ32 and φ40 bores.
  - For the arrangement of the packing set including wear rings, refer to the code for the packing set arrangement.
  - The dust wiper 1 33 is pressed in the bush to be incorporated with it, and cannot be replaced singly. When replacing, replace together with the bush.
- Note 1) The parts code of the cushion valve seal 34 and the check valve seal 36 applicable to the TA type rod cover of a 100 mm bore is CR-18H. The O-ring for cushion valve 35, S-7 is required for this type.

The packing set for the 100 mm bore type includes 2 pcs. of the CR-18H and 1 pce. of the S-7.

**Note** The nominal code of packings may be changed.

## Switch set/6 cutting fluid proof type (rod C) / 70HW-8R, 140HW-8R

No.	Parts name	Material	Q'ty	Parts code					
				φ40	φ50	φ63	φ80	φ100	φ125
26	Piston packing	Hydrogenated nitrile rubber	2	UHP-40	UHP-50	UHP-63	UHP-80	UHP-100	UHP-125
27	Rod packing	Hydrogenated nitrile rubber	1	UHR-18	UHR-22.4	UHR-28	UHR-35.5	UHR-45	UHR-56
33	Dust wiper 1	Canned hydrogenated nitrile rubber	1	(DYL-22.4)	(DYL-28)	(DYL-35.5)	(DYL-45)	(DYL-56)	(DYL-71)
37	Dust wiper 2	Hydrogenated nitrile rubber	1	UMD-18	UMD-22.4	UMD-28	UMD-35.5	UMD-45	UMD-56
29	Cover seal	Hydrogenated nitrile rubber	2	TT-40	TT-50	TT-63	TT-80	TT-100	TT-125
31	O-ring for piston rod	Hydrogenated nitrile rubber	1	P-15	P-18	P-24	P-30	P-36	P-45
32	O-ring for cushion ring	Hydrogenated nitrile rubber	1	P-18	P-22.4	P-28	P-35.5	G-45	G-55
33	O-ring for bush	Hydrogenated nitrile rubber	1	G-25	G-30	G-40	G-50	G-60	G-75
34	Valve seal	Canned hydrogenated nitrile rubber	2	CX-12H	CX-12H	CX-12H	CX-14H	Note 1) CX-14H	CR-18H
35	O-ring for cushion valve	Hydrogenated nitrile rubber	2	—	—	—	—	—	S-7
36	Valve seal	Canned hydrogenated nitrile rubber	4	CX-12H	CX-12H	CX-12H	CX-14H	Note 1) CX-14H	CR-18H
Packing set	Double acting single rod cylinder	—	1 set	NHW8R/PKS6	NHW8R/PKS6	NHW8R/PKS6	NHW8R/PKS6	NHW8R/PKS6	NHW8R/PKS6
				-040C	-050C	-063C	-080C	-100C	-125C

- The hardness of the O-ring for cushion valve 35 is Hs 70, and that of other O-rings is Hs90.
  - The dust wiper 1 33 is pressed in the bush to be incorporated with it, and cannot be replaced singly. When replacing, replace together with the bush.
- Note 1) The parts code of the cushion valve seal 34 and the check valve seal 36 applicable to the TA type rod cover of a 100 mm bore is CR-18H. The O-ring for cushion valve 35, S-7 is required for this type.

The packing set for the 100 mm bore type includes 2 pcs. of the CR-18H and 1 pce. of the S-7.

**Note** The nominal code of packings may be changed.