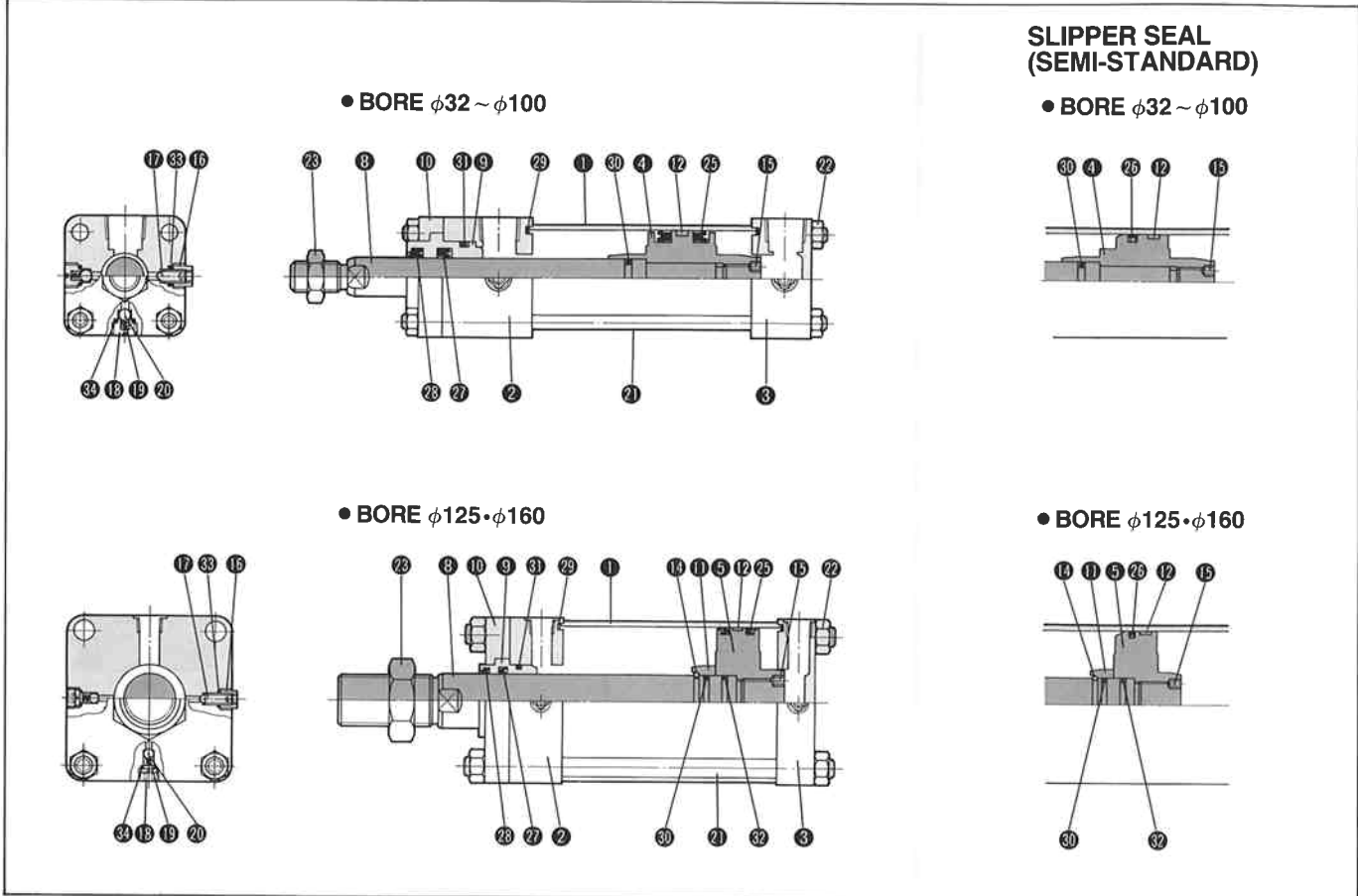


35H-3 3.5MPa HYDRAULIC CYLINDER

SECTIONAL DRAWINGS/ 35H-3 FUNDAMENTAL TYPE



PARTS LIST

No.	Name	Material	Q'ty
①	Cylinder body	Carbon steel	1
②	Head cover	Carbon steel ($\phi 32 \sim \phi 125$) Rolled steel ($\phi 160$)	1
③	Cap	Carbon steel ($\phi 32 \sim \phi 125$) Rolled steel ($\phi 160$)	1
④	Piston ($\phi 32 \sim \phi 100$)	Carbon steel	1
⑤	Piston ($\phi 125 \sim \phi 160$)	Carbon steel	1
⑧	Piston rod	Carbon steel	1
⑨	Rod gland	Bronze casting	1
⑩	Retainer	Carbon steel ($\phi 32 \sim \phi 125$) Rolled steel ($\phi 160$)	1
⑪	Cushion ring	Rolled steel	1
⑫	Wear ring	Synthetic resin	1

No.	Name	Material	Q'ty
⑭	Stop ring	Piano wire	1
⑮	Set screw	Chromium-Molybdenum steel	1
⑯	Cushion plug	Chromium-Molybdenum steel ($\phi 32 \sim \phi 40$) Rolled steel ($\phi 50 \sim \phi 160$)	2
⑰	Cushion needle	Chromium-Molybdenum steel	2
⑱	Check plug	Chromium-Molybdenum steel ($\phi 32 \sim \phi 40$) Rolled steel ($\phi 50 \sim \phi 160$)	4
⑲	Check spring	Piano wire	4
⑳	Check ball	High carbon chromium bearing steel	4
㉑	Tie rod	Carbon steel	4
㉒	Tie rod nut	Carbon steel	8
㉓	Lock nut for rod end attachment	Carbon steel	1

• The above is the quantity of cap and head cover cushioned.

SEAL LIST

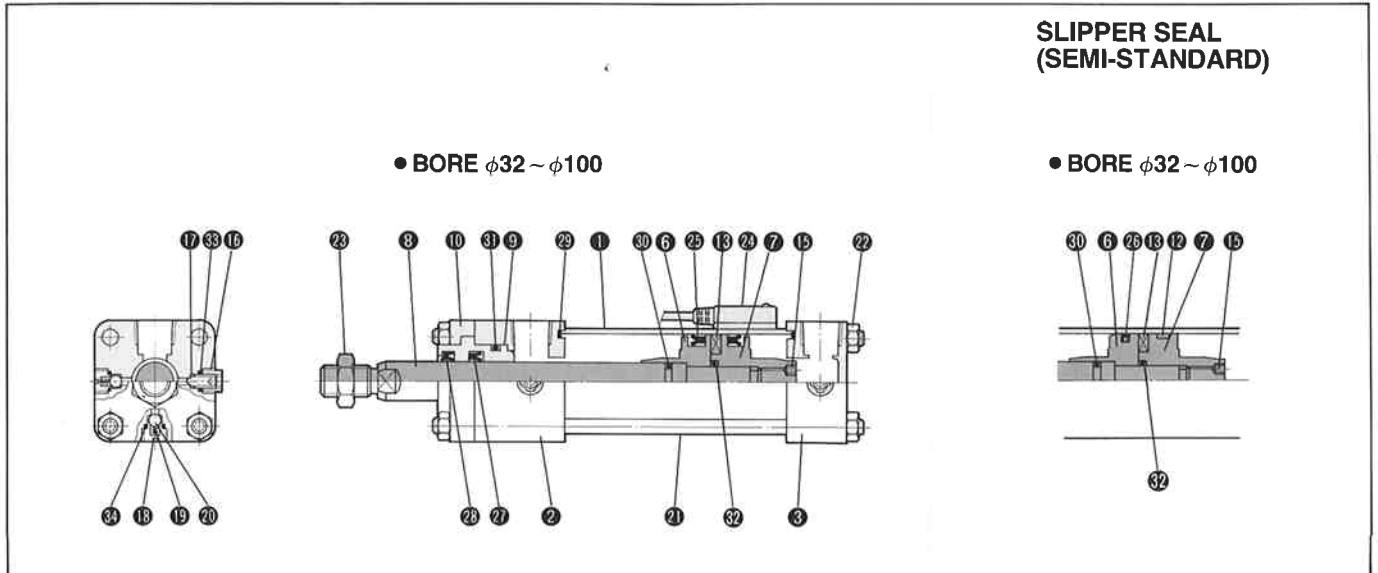
Name	⑮	⑯	⑰	⑱	㉑	㉒	㉓	㉔	㉕	㉖
Material	Piston seal	Slipper seal	Rod seal	Dust wiper	End seal	Piston rod O-ring	Rod gland O-ring	Piston O-ring	Cushion needle seal	Check valve seal
Bore mm	Nitrile rubber	Nitrile rubber + Fluoric resin	Nitrile rubber	Nitrile rubber	Nitrile rubber	Nitrile rubber	Nitrile rubber	Nitrile rubber	Fluoric resin (White)	Nitrile rubber with gold ring
Q'ty	2	1	1	1	2	1	1	1	2	4
$\phi 32$	RHP-32	APS-32	UHR-16	DHS-16	TX-32	S-10	G-25	—	TF-8	CR-8
$\phi 40$	RHP-40	APS-40	UHR-16	DHS-16	TX-40	P-12	G-25	—	TF-8	CR-8
$\phi 50$	RHP-50	APS-50	UHR-22	DHS-22	TX-50	P-18	G-35	—	TF-8	CR-8
$\phi 63$	RHP-63	APS-63	UHR-22	DHS-22	TX-63	P-18	G-35	—	TF-12	CR-12
$\phi 80$	RHP-80A	APS-80	UHR-28A	DHS-28	TX-80	P-22A	P-36	—	TF-12	CR-12
$\phi 100$	RHP-100A	APS-100	UHR-36	DHS-36	TX-100	G-30	P-46	—	TF-14	CR-14
$\phi 125$	RHP-125A	APS-125	UHR-45A	DHS-45	TX-125	G-40	G-55	G-40	TF-14	CR-14
$\phi 160$	RHP-160	APS-160	UHR-56	DHS-56	TO-160	G-50	G-65	G-50	TF-18	CR-18

• O-rings conform to JIS B2401-1A.

• For ordering seals, inform us surely of seal material.

3.5MPa HYDRAULIC CYLINDER 35H-3

SECTIONAL DRAWINGS/ 35H-3R SWITCH SET



PARTS LIST

No.	Name	Material	Q'ty
1	Cylinder body	Stainless steel	1
2	Head cover	Carbon steel	1
3	Cap	Carbon steel	1
6	Piston R	Special copper alloy	1
7	Piston H	Special copper alloy	1
8	Piston rod	Stainless steel (φ32) Carbon steel (φ40 ~ φ100)	1
9	Rod gland	Bronze casting	1
10	Retainer	Carbon steel	1
12	Wear ring	Synthetic resin	1
13	Magnet	—	—

No.	Name	Material	Q'ty
15	Set screw	Chromium-Molybdenum steel	1
16	Cushion plug	Chromium-Molybdenum steel (φ32-φ40) Rolled steel (φ50 ~ φ100)	2
17	Cushion needle	Chromium-Molybdenum steel	2
18	Check plug	Chromium-Molybdenum steel (φ32-φ40) Rolled steel (φ50 ~ φ100)	4
19	Check spring	Piano wire	4
20	Check ball	High carbon chromium bearing steel	4
21	Tie rod	Carbon steel	4
22	Tie rod nut	Carbon steel	8
23	Lock nut for rod end attachment	Carbon steel	1
24	Reed switch	—	—

• The above is the quantity of cap and head cover cushioned.

SEAL LIST

Name Material	25	26	27	28	29	30	31	32	33	34
	Piston seal	Slipper seal	Rod seal	Dust wiper	End seal	Piston rod O-ring	Rod gland O-ring	Piston O-ring	Cushion needle seal	Check valve seal
Material	Nitrile rubber	Nitrile rubber + Fluoric resin 3U8	Nitrile rubber	Nitrile rubber	Nitrile rubber	Nitrile rubber	Nitrile rubber	Nitrile rubber	Fluoric resin (White)	Canned nitrile rubber
Q'ty	2	1	1	1	2	1	1	1	2	4
φ32	RHP-32	APS-32	UHR-16	DHS-16	TX-32	S-10	G-25	P-12	TF-8	CR-8
φ40	RHP-40	APS-40	UHR-16	DHS-16	TX-40	P-12	G-25	P-12	TF-8	CR-8
φ50	RHP-50	APS-50	UHR-22	DHS-22	TX-50	P-18	G-35	P-18	TF-8	CR-8
φ63	RHP-63	APS-63	UHR-22	DHS-22	TX-63	P-18	G-35	P-18	TF-12	CR-12
φ80	RHP-80A	APS-80	UHR-28A	DHS-28	TX-80	P-22A	P-36	P-24	TF-12	CR-12
φ100	RHP-100A	APS-100	UHR-36	DHS-36	TX-100	G-30	P-46	G-30	TF-14	CR-14

• O-rings conform to JIS B2401-1A.

• For ordering seals, inform us surely of seal material.

Seal Set Order Form

LH3R / PKS		1 - Cylinder Bore
Cylinder Type		Seal Set Material
LH3	Fundamental Type	1 U-seal (Nitrile rubber)
LH3R	Switch Set	(3) U-seal (Fluoric rubber)
Seal Set Code		(6) U-seal (HNBR)
		(8) Slipper seal