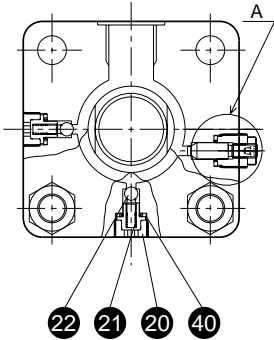
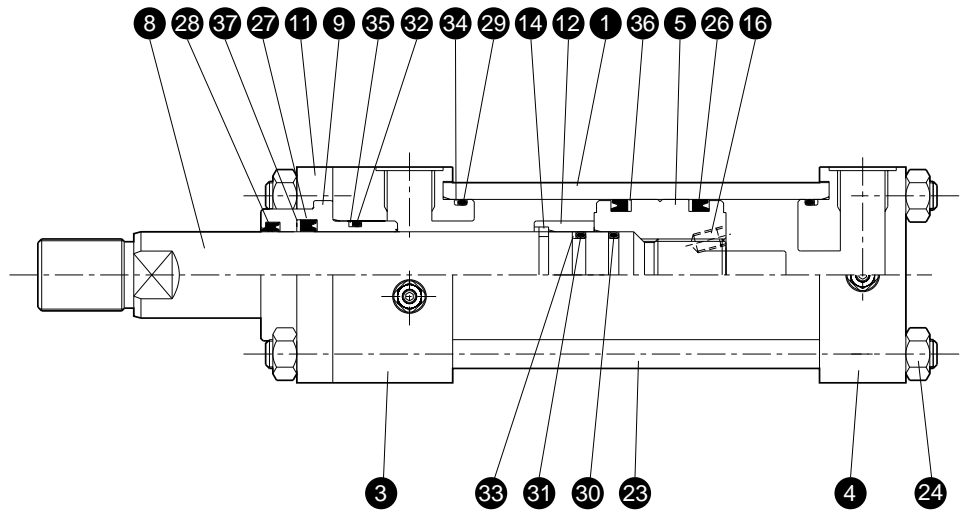
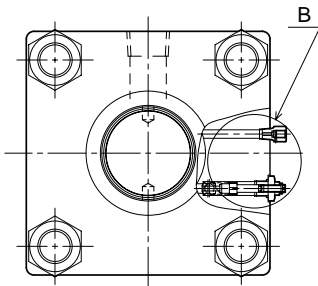


Double acting single rod/standard type/210C-1 (rod A, B)

- Bore $\phi 40 - \phi 160$

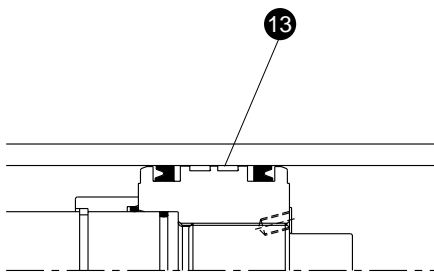


- Bore $\phi 180 - \phi 250$

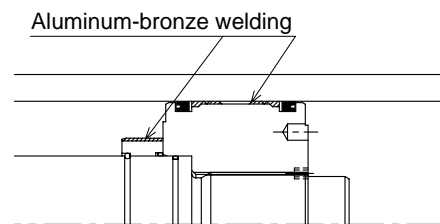


The detailed structure of the piston varies depending on the bore.

- Bore $\phi 80 - \phi 160$

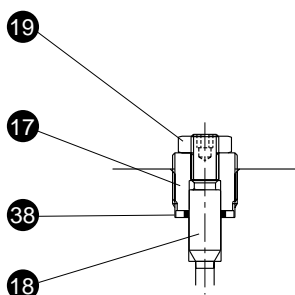


- Bore $\phi 180 - \phi 250$

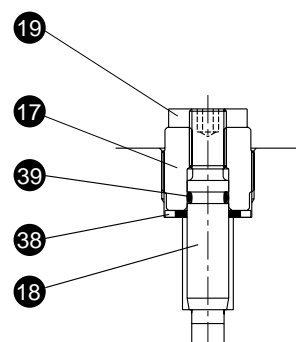


Enlarged drawing of part A (cushion valve)

- Bore $\phi 40 - \phi 80$

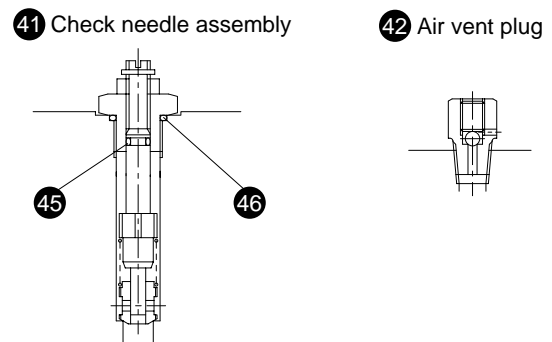


- Bore $\phi 100 - \phi 160$



Enlarged drawing of part B

- Bore $\phi 180 - \phi 250$



Parts list

No..	Name	Material	Q'ty
①	Cylinder tube	Carbon steel for machine structural use	1
③	Rod cover	Carbon steel for machine structural use ($\phi 40 - \phi 80$) Structural rolled steel ($\phi 100 - \phi 250$)	1
④	Head cover	Carbon steel for machine structural use ($\phi 40 - \phi 80$) Structural rolled steel ($\phi 100 - \phi 250$)	1
⑤	Piston	Copper alloy ($\phi 40 - \phi 63$) Spheroidal graphite iron castings ($\phi 80 - \phi 160$) Structural carbon steel ($\phi 180 - \phi 250$)	1
⑧	Piston rod	Carbon steel for machine structural use	1
⑨	Bush	Copper alloy	1
⑪	Retainer	Carbon steel for machine structural use ($\phi 40 - \phi 80$) Structural rolled steel ($\phi 100 - \phi 250$)	1
⑫	Cushion ring	Copper alloy ($\phi 40 - \phi 63$) Spheroidal graphite iron castings ($\phi 80 - \phi 160$) Carbon steel for machine structural use ($\phi 180 - \phi 250$)	1
⑬	Wear ring	Synthetic resin ($\phi 40 - \phi 160$)	(2)
⑭	Stop ring	Carbon steel for machine structural use ($\phi 50 - \phi 100$) Piano wire ($\phi 180 - \phi 250$)	(1)
⑯	Set screw	Chrome molybdenum steel	1
⑰	Cushion plug	Carbon steel for machine structural use	2
⑱	Cushion valve	Chrome molybdenum steel	2
⑲	Cushion lock nut	Carbon steel for machine structural use	2
⑳	Check plug	Carbon steel for machine structural use	4
㉑	Check spring	Piano wire	4
㉒	Check ball	High carbon chromium bearing steel	4
㉓	Tie rod	Chrome molybdenum steel	4
㉔	Tie rod nut (type 2)	Carbon steel for machine structural use	8
㉔	Check needle ASSY	—	2
㉔	Air vent plug	—	2

- The quantities shown in the table above are applicable to the type with both ends cushioned.
- The item with the quantity in the () mark may not be used depending on the bore and rod dia.



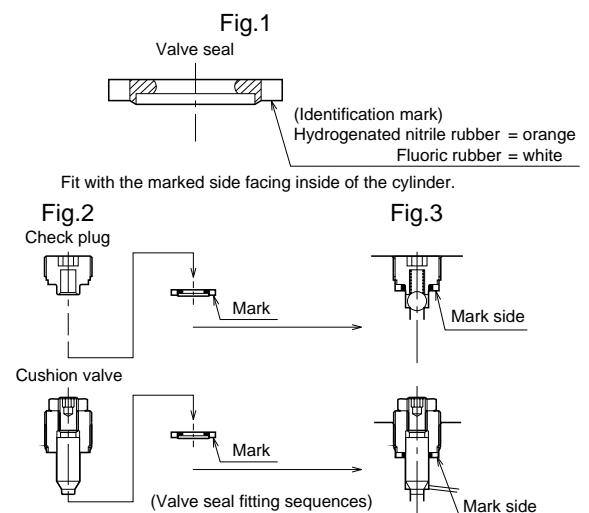
- Precautions for fitting of valve seals ㉓, ㉔

The valve seals, ㉓ and ㉔, must be fit in the specified direction and sequences. Wrong fitting direction and sequences will lead to the damaged packings, causing oil leak.

Fitting sequences

- ① Check the direction of a valve seal.
The marked side must be faced inside (refer to Fig.1).
- ② Fit the valve seal to the shaft of the cushion valve or the shaft of the check plug in correct fitting direction (refer to Fig.2).
- ③ Take care to prevent the valve seal from being dropped, and screw it in (refer to Fig.3).

Note) If the seal is first fit in the cover hole, and then, it is screwed in, it may be damaged.



Packing list

Standard type/1 nitrile rubber (rod B) / 210C-1

No.	Parts name	Material	Q'ty	Parts code			
				φ40	φ50	φ63	φ80
26	Piston packing	Nitrile rubber	2	OUHR-40	OUHR-50	OUHR-63	OUHR-80A
27	Rod packing	Nitrile rubber	1	IUH-22A	IUH-28	IUH-36	IUH-45A
28	Dust wiper	Nitrile rubber	1	LBH-22	LBH-28	LBH-36	LBH-45
29	O-ring for cover	Nitrile rubber	2	G-35	G-45	*1 G-58	G-75
30	O-ring for piston rod	Nitrile rubber	1	S-16-1B	P-22A-1B	P-30-1B	G-40-1B
31	O-ring for cushion ring	Nitrile rubber	1	—	*3 P-22A-1B	*3 P-30-1B	*3 G-45-1B
32	O-ring for bush	Nitrile rubber	1	G-25	G-30	G-40	G-55
33	Backup-ring for cushion ring	Fluoric resin	1	—	BUR-P22A	BUR-P30	BUR-G45
34	Backup-ring for cover	Fluoric resin	2	BUR-G35	BUR-G45	BUR-G58	BUR-G75
35	Backup-ring for bush	Fluoric resin	1	BUR-G25	BUR-G31	BUR-G40	BUR-G55
36	Backup-ring for piston seal	Fluoric resin	2	40×30×1.5	50×40×1.5	63×53×1.5	80×71×2
37	Backup-ring for rod seal	Fluoric resin	1	22×30×1	28×35.5×1	36×46×1.5	45×56×1.5
38	Valve seal	Canned hydrogenated nitrile rubber	2	CX-12H	CX-12H	CX-12H	CX-14H
39	O-ring for cushion valve	Hydrogenated nitrile rubber	2	—	—	—	—
40	Valve seal	Canned hydrogenated nitrile rubber	4	CX-12H	CX-12H	CX-12H	CX-14H
Packing set	Double acting single rod cylinder	—	1 set	TC1/PKS1-040B	TC1/PKS1-050B	TC1/PKS1-063B	TC1/PKS1-080B

No.	Parts name	Material	Q'ty	Parts code			
				φ100	φ125	φ140	φ160
26	Piston packing	Nitrile rubber	2	OUHR-100	OUHR-125	OUHR-140	OUHR-160
27	Rod packing	Nitrile rubber	1	IUH-56	IUH-70	IUH-80	IUH-90
28	Dust wiper	Nitrile rubber	1	LBH-56	LBH-70	LBH-80	LBH-90
29	O-ring for cover	Nitrile rubber	2	G-95	G-120	G-135	G-150
30	O-ring for piston rod	Nitrile rubber	1	G-50-1B	G-65-1B	G-70-1B	G-80-1B
31	O-ring for cushion ring	Nitrile rubber	1	*3 G-55-1B	*3 G-65-1B	*3 G-75-1B	*3 G-85-1B
32	O-ring for bush	Nitrile rubber	1	G-65	G-80	G-90	G-100
33	Backup-ring for cushion ring	Fluoric resin	1	BUR-G56	BUR-G65	BUR-G75	BUR-G85
34	Backup-ring for cover	Fluoric resin	2	BUR-G95	BUR-G120	BUR-G135	BUR-G150
35	Backup-ring for bush	Fluoric resin	1	BUR-G65	BUR-G80	BUR-G90	BUR-G100
36	Backup-ring for piston seal	Fluoric resin	2	100×85×3	125×112×3	140×125×3	160×145×3
37	Backup-ring for rod seal	Fluoric resin	1	56×66×1.5	70×80×1.5	80×90×1.5	90×105×2
38	Valve seal	Canned hydrogenated nitrile rubber	2	CR-18H	CR-18H	CR-22H	CR-22H
39	O-ring for cushion valve	Hydrogenated nitrile rubber	2	S-7	S-7	S-11.2	S-11.2
40	Valve seal	Canned hydrogenated nitrile rubber	4	CR-18H	CR-18H	CR-22H	CR-22H
Packing set	Double acting single rod cylinder	—	1 set	TC1/PKS1-100B	TC1/PKS1-125B	TC1/PKS1-140B	TC1/PKS1-160B

● O-ring for the piston rod and * -marked items conform to JIS B2401-1B standard. Other O-rings conform to JIS B2401-1A. The models with * -marks conform to TAIYO standards. The hardness of the O-ring for cushion valve is HS90°.

● celled parts are TAIYO original Backup-rings.

● The Backup-ring for piston seal contains the bronze at the bore of 80 to 160mm.

● 26 27 28 seals are TAIYO original ones.

Note) The nominal code of packings may be changed.

● Please consult us the seals in 180mm to 250mm bore.

Standard type/2 urethane rubber (rod B) / 210C-1

No.	Parts name	Material	Q'ty	Parts code			
				φ40	φ50	φ63	φ80
26	Piston packing	Urethane rubber	2	OUIS-40	OUIS-50	OUIS-63	OUIS-80A
27	Rod packing	Urethane rubber	1	ISI-22AB	ISI-28B	ISI-36B	ISI-45AB
28	Dust wiper	Urethane rubber	1	LBI-22	LBI-28	LBI-36	LBI-45
29	O-ring for cover	Nitrile rubber	2	G-35	G-45	*1 G-58	G-75
30	O-ring for piston rod	Nitrile rubber	1	S-16-1B	P-22A-1B	P-30-1B	G-40-1B
31	O-ring for cushion ring	Nitrile rubber	1	—	*3 P-22A-1B	*3 P-30-1B	*3 G-45-1B
32	O-ring for bush	Nitrile rubber	1	G-25	G-30	G-40	G-55
33	Backup-ring for cushion ring	Fluoric resin	1	—	BUR-P22A	BUR-P30	BUR-G45
34	Backup-ring for cover	Fluoric resin	2	BUR-G35	BUR-G45	BUR-G58	BUR-G75
35	Backup-ring for bush	Fluoric resin	1	BUR-G25	BUR-G31	BUR-G40	BUR-G55
36	Backup-ring for piston seal	Fluoric resin	2	40×30×1.5	50×40×1.5	63×53×1.5	80×71×2
37	Backup-ring for rod seal	Fluoric resin	1	22×30×1	28×35.5×1	36×46×1.5	45×56×1.5
38	Valve seal	Canned hydrogenated nitrile rubber	2	CX-12H	CX-12H	CX-12H	CX-14H
39	O-ring for cushion valve	Hydrogenated nitrile rubber	2	—	—	—	—
40	Valve seal	Canned hydrogenated nitrile rubber	4	CX-12H	CX-12H	CX-12H	CX-14H
Packing set	Double acting single rod cylinder	—	1 set	TC1/PKS2-040B	TC1/PKS2-050B	TC1/PKS2-063B	TC1/PKS2-080B

No.	Parts name	Material	Q'ty	Parts code			
				φ100	φ125	φ140	φ160
26	Piston packing	Urethane rubber	2	OUIS-100	OUIS-125	OUIS-140	OUIS-160
27	Rod packing	Urethane rubber	1	ISI-56B	ISI-70B	ISI-80B	ISI-90B
28	Dust wiper	Urethane rubber	1	LBI-56	LBI-70	LBI-80	LBI-90
29	O-ring for cover	Nitrile rubber	2	G-95	G-120	G-135	G-150
30	O-ring for piston rod	Nitrile rubber	1	G-50-1B	G-65-1B	G-70-1B	G-80-1B
31	O-ring for cushion ring	Nitrile rubber	1	*3 G-55-1B	*3 G-65-1B	*3 G-75-1B	*3 G-85-1B
32	O-ring for bush	Nitrile rubber	1	G-65	G-80	G-90	G-100
33	Backup-ring for cushion ring	Fluoric resin	1	BUR-G56	BUR-G65	BUR-G75	BUR-G85
34	Backup-ring for cover	Fluoric resin	2	BUR-G95	BUR-G120	BUR-G135	BUR-G150
35	Backup-ring for bush	Fluoric resin	1	BUR-G65	BUR-G80	BUR-G90	BUR-G100
36	Backup-ring for piston seal	Fluoric resin	2	100×85×3	125×112×3	140×125×3	160×145×3
37	Backup-ring for rod seal	Fluoric resin	1	56×66×1.5	70×80×1.5	80×90×1.5	90×105×2
38	Valve seal	Canned hydrogenated nitrile rubber	2	CR-18H	CR-18H	CR-22H	CR-22H
39	O-ring for cushion valve	Hydrogenated nitrile rubber	2	S-7	S-7	S-11.2	S-11.2
40	Valve seal	Canned hydrogenated nitrile rubber	4	CR-18H	CR-18H	CR-22H	CR-22H
Packing set	Double acting single rod cylinder	—	1 set	TC1/PKS2-100B	TC1/PKS2-125B	TC1/PKS2-140B	TC1/PKS2-160B

● O-ring for the piston rod and *3-marked items conform to JIS B2401-1B standard. Other O-rings conform to JIS B2401-1A. The models with *3-marks conform to TAIYO standards. The hardness of the O-ring for cushion valve is HS90°.

● celled parts are TAIYO original Backup-rings.

● The Backup-ring for piston seal contains the bronze at the bore of 80 to 160mm.

● 26 27 28 seals are TAIYO original ones.

Note) The nominal code of packings may be changed.

● Please consult us the seals in 180mm to 250mm bore.

Packing list

Standard type/ fluoric rubber (rod B) / 210C-1

No.	Parts name	Material	Q'ty	Parts code			
				φ40	φ50	φ63	φ80
26	Piston packing	Fluoric rubber	2	UHP-40	UHP-50	UHP-63	UHP-80
27	Rod packing	Fluoric rubber	1	UHR-22	UHR-28	UHR-36	UHR-45
28	Dust wiper	Fluoric rubber	1	DHS-22	DHS-28	DHS-36	DHS-45
29	O-ring for cover	Fluoric rubber	2	G-35	G-45	*1 G-58	G-75
30	O-ring for piston rod	Fluoric rubber	1	S-16	P-22A	P-30	G-40
31	O-ring for cushion ring	Fluoric rubber	1	—	*3 P-22A	*3 P-30	*3 G-45
32	O-ring for bush	Fluoric rubber	1	G-25	G-30	G-40	G-55
33	Backup-ring for cushion ring	Fluoric resin	1	—	BUR-P22A	BUR-P30	BUR-G45
34	Backup-ring for cover	Fluoric resin	2	BUR-G35	BUR-G45	BUR-G58	BUR-G75
35	Backup-ring for bush	Fluoric resin	1	BUR-G25	BUR-G31	BUR-G40	BUR-G55
36	Backup-ring for piston seal	Fluoric resin	2	40×30×1.5	50×40×1.5	63×53×1.5	80×71×2
37	Backup-ring for rod seal	Fluoric resin	1	22×30×1	28×35.5×1	36×46×1.5	45×56×1.5
38	Valve seal	Canned fluoric rubber	2	CX-12F	CX-12F	CX-12F	CX-14F
39	O-ring for cushion valve	Fluoric rubber	2	—	—	—	—
40	Valve seal	Canned fluoric rubber	4	CX-12F	CX-12F	CX-12F	CX-14F
Packing set	Double acting single rod cylinder	—	1 set	TC1/PKS3-040B	TC1/PKS3-050B	TC1/PKS3-063B	TC1/PKS3-080B

No.	Parts name	Material	Q'ty	Parts code			
				φ100	φ125	φ140	φ160
26	Piston packing	Fluoric rubber	2	UHP-100	UHP-125	UHP-140	UHP-160
27	Rod packing	Fluoric rubber	1	UHR-56	UHR-70	UHR-80	UHR-90
28	Dust wiper	Fluoric rubber	1	DHS-56	DHS-70	DHS-80	DHS-90
29	O-ring for cover	Fluoric rubber	2	G-95	G-120	G-135	G-150
30	O-ring for piston rod	Fluoric rubber	1	G-50	G-65	G-70	G-80
31	O-ring for cushion ring	Fluoric rubber	1	*3 G-55	*3 G-65	*3 G-75	*3 G-85
32	O-ring for bush	Fluoric rubber	1	G-65	G-80	G-90	G-100
33	Backup-ring for cushion ring	Fluoric resin	1	BUR-G56	BUR-G65	BUR-G75	BUR-G85
34	Backup-ring for cover	Fluoric resin	2	BUR-G95	BUR-G120	BUR-G135	BUR-G150
35	Backup-ring for bush	Fluoric resin	1	BUR-G65	BUR-G80	BUR-G90	BUR-G100
36	Backup-ring for piston seal	Fluoric resin	2	100×85×3	125×112×3	140×125×3	160×145×3
37	Backup-ring for rod seal	Fluoric resin	1	56×66×1.5	70×80×1.5	80×90×1.5	90×105×2
38	Valve seal	Canned fluoric rubber	2	CR-18F	CR-18F	CR-22F	CR-22F
39	O-ring for cushion valve	Fluoric rubber	2	*3 S-7	*3 S-7	*3 S-11.2	*3 S-11.2
40	Valve seal	Canned fluoric rubber	4	CR-18F	CR-18F	CR-22F	CR-22F
Packing set	Double acting single rod cylinder	—	1 set	TC1/PKS3-100B	TC1/PKS3-125B	TC1/PKS3-140B	TC1/PKS3-160B

• The hardness of the O-ring for piston rod and *3 marked items is HS90°. Other O-rings conform to JIS B2401-4D. The models with *3-marks conform to TAIYO standards.

• celled parts are TAIYO original Backup-rings.

• The Backup-ring for piston seal contains the bronze at the bore of 80 to 160mm.

Note) The nominal code of packings may be changed.

Standard type/6 hydrogenated nitrile rubber (rod B) / 210C-1

No.	Parts name	Material	Q'ty	Parts code			
				φ40	φ50	φ63	φ80
26	Piston packing	Hydrogenated nitrile rubber	2	UHP-40	UHP-50	UHP-63	UHP-80
27	Rod packing	Hydrogenated nitrile rubber	1	UHR-22	UHR-28	UHR-36	UHR-45
28	Dust wiper	Hydrogenated nitrile rubber	1	DHS-22	DHS-28	DHS-36	DHS-45
29	O-ring for cover	Hydrogenated nitrile rubber	2	G-35	G-45	*1 G-58	G-75
30	O-ring for piston rod	Hydrogenated nitrile rubber	1	S-16	P-22A	P-30	G-40
31	O-ring for cushion ring	Hydrogenated nitrile rubber	1	—	P-22A	P-30	G-45
32	O-ring for bush	Hydrogenated nitrile rubber	1	G-25	G-30	G-40	G-55
33	Backup-ring for cushion ring	Fluoric resin	1	—	BUR-P22A	BUR-P30	BUR-G45
34	Backup-ring for cover	Fluoric resin	2	BUR-G35	BUR-G45	BUR-G58	BUR-G75
35	Backup-ring for bush	Fluoric resin	1	BUR-G25	BUR-G31	BUR-G40	BUR-G55
36	Backup-ring for piston seal	Fluoric resin	2	40×30×1.5	50×40×1.5	63×53×1.5	80×71×2
37	Backup-ring for rod seal	Fluoric resin	1	22×30×1	28×35.5×1	36×46×1.5	45×56×1.5
38	Valve seal	Canned hydrogenated nitrile rubber	2	CX-12H	CX-12H	CX-12H	CX-14H
39	O-ring for cushion valve	Hydrogenated nitrile rubber	2	—	—	—	—
40	Valve seal	Canned hydrogenated nitrile rubber	4	CX-12H	CX-12H	CX-12H	CX-14H
Packing set	Double acting single rod cylinder	—	1 set	TC1/PKS6-040B	TC1/PKS6-050B	TC1/PKS6-063B	TC1/PKS6-080B

No.	Parts name	Material	Q'ty	Parts code			
				φ100	φ125	φ140	φ160
26	Piston packing	Hydrogenated nitrile rubber	2	UHP-100	UHP-125	UHP-140	UHP-160
27	Rod packing	Hydrogenated nitrile rubber	1	UHR-56	UHR-70	UHR-80	UHR-90
28	Dust wiper	Hydrogenated nitrile rubber	1	DHS-56	DHS-70	DHS-80	DHS-90
29	O-ring for cover	Hydrogenated nitrile rubber	2	G-95	G-120	G-135	G-150
30	O-ring for piston rod	Hydrogenated nitrile rubber	1	G-50	G-65	G-70	G-80
31	O-ring for cushion ring	Hydrogenated nitrile rubber	1	G-55	G-65	G-75	G-85
32	O-ring for bush	Hydrogenated nitrile rubber	1	G-65	G-80	G-90	G-100
33	Backup-ring for cushion ring	Fluoric resin	1	BUR-G56	BUR-G65	BUR-G75	BUR-G85
34	Backup-ring for cover	Fluoric resin	2	BUR-G95	BUR-G120	BUR-G135	BUR-G150
35	Backup-ring for bush	Fluoric resin	1	BUR-G65	BUR-G80	BUR-G90	BUR-G100
36	Backup-ring for piston seal	Fluoric resin	2	100×85×3	125×112×3	140×125×3	160×145×3
37	Backup-ring for rod seal	Fluoric resin	1	56×66×1.5	70×80×1.5	80×90×1.5	90×105×2
38	Valve seal	Canned hydrogenated nitrile rubber	2	CR-18H	CR-18H	CR-22H	CR-22H
39	O-ring for cushion valve	Hydrogenated nitrile rubber	2	S-7	S-7	S-11.2	S-11.2
40	Valve seal	Canned hydrogenated nitrile rubber	4	CR-18H	CR-18H	CR-22H	CR-22H
Packing set	Double acting single rod cylinder	—	1 set	TC1/PKS6-100B	TC1/PKS6-125B	TC1/PKS6-140B	TC1/PKS6-160B

- The hardness of the O-ring is HS90°. The models with *1-marks conform to TAIYO standards.
 - celled parts are TAIYO original Backup-rings.
 - The Backup-ring for piston seal contains the bronze at the bore of 80 to 160mm.
- Note) The nominal code of packings may be changed.

Packing list

Standard type/1 nitrile rubber (rod A) / 210C-1

No.	Parts name	Material	Q'ty	Parts code			
				φ40	φ50	φ63	φ80
26	Piston packing	Nitrile rubber	2	OUHR-40	OUHR-50	OUHR-63	OUHR-80A
27	Rod packing	Nitrile rubber	1	IUH-28	IUH-36	IUH-45A	IUH-56
28	Dust wiper	Nitrile rubber	1	LBH-28	LBH-36	LBH-45	LBH-56
29	O-ring for cover	Nitrile rubber	2	G-35	G-45	*1 G-58	G-75
30	O-ring for piston rod	Nitrile rubber	1	S-16-1B	P-22A-1B	P-30-1B	G-40-1B
31	O-ring for cushion ring	Nitrile rubber	1	—	*3 P-22A-1B	*3 P-30-1B	*3 G-45-1B
32	O-ring for bush	Nitrile rubber	1	G-30	G-40	G-55	G-65
33	Backup-ring for cushion ring	Fluoric resin	1	—	BUR-P22A	BUR-P30	BUR-G45
34	Backup-ring for cover	Fluoric resin	2	BUR-G35	BUR-G45	BUR-G58	BUR-G75
35	Backup-ring for bush	Fluoric resin	1	BUR-G31	BUR-G40	BUR-G55	BUR-G65
36	Backup-ring for piston seal	Fluoric resin	2	40×30×1.5	50×40×1.5	63×53×1.5	80×71×2
37	Backup-ring for rod seal	Fluoric resin	1	28×35.5×1	36×46×1.5	45×56×1.5	56×66×1.5
38	Valve seal	Canned hydrogenated nitrile rubber	2	CX-12H	CX-12H	CX-12H	CX-14H
39	O-ring for cushion valve	Hydrogenated nitrile rubber	2	—	—	—	—
40	Valve seal	Canned hydrogenated nitrile rubber	4	CX-12H	CX-12H	CX-12H	CX-14H
Packing set	Double acting single rod cylinder	—	1 set	TC1/PKS1-040A	TC1/PKS1-050A	TC1/PKS1-063A	TC1/PKS1-080A

No.	Parts name	Material	Q'ty	Parts code			
				φ100	φ125	φ140	φ160
26	Piston packing	Nitrile rubber	2	OUHR-100	OUHR-125	OUHR-140	OUHR-160
27	Rod packing	Nitrile rubber	1	IUH-70	IUH-90	IUH-100	IUH-110
28	Dust wiper	Nitrile rubber	1	LBH-70	LBH-90	LBH-100	LBH-110
29	O-ring for cover	Nitrile rubber	2	G-95	G-120	G-135	G-150
30	O-ring for piston rod	Nitrile rubber	1	G-50-1B	G-65-1B	G-70-1B	G-80-1B
31	O-ring for cushion ring	Nitrile rubber	1	*3 G-55-1B	*3 G-65-1B	G-75-1B	G-85-1B
32	O-ring for bush	Nitrile rubber	1	G-80	G-100	G-110	G-125
33	Backup-ring for cushion ring	Fluoric resin	1	BUR-G56	BUR-G65	BUR-G65	BUR-G85
34	Backup-ring for cover	Fluoric resin	2	BUR-G95	BUR-G120	BUR-G135	BUR-G150
35	Backup-ring for bush	Fluoric resin	1	BUR-G80	BUR-G100	BUR-G110	BUR-G125
36	Backup-ring for piston seal	Fluoric resin	2	100×85×3	125×112×3	125×140×3	145×160×3
37	Backup-ring for rod seal	Fluoric resin	1	70×80×1.5	90×105×2	100×115×2	110×125×2
38	Valve seal	Canned hydrogenated nitrile rubber	2	CR-18H	CR-18H	CR-22H	CR-22H
39	O-ring for cushion valve	Hydrogenated nitrile rubber	2	S-7	S-7	S-11.2	S-11.2
40	Valve seal	Canned hydrogenated nitrile rubber	4	CR-18H	CR-18H	CR-22H	CR-22H
Packing set	Double acting single rod cylinder	—	1 set	TC1/PKS1-100A	TC1/PKS1-125A	TC1/PKS1-140A	TC1/PKS1-160A

● O-ring for the piston rod and * -marked items conform to JIS B2401-1B standard. Other O-rings conform to JIS B2401-1A. The models with * -marks conform to TAIYO standards. The hardness of the O-ring for cushion valve is HS90°.

● celled parts are TAIYO original Backup-rings.

● The Backup-ring for piston seal contains the bronze at the bore of 80 to 125mm.

● 26 27 28 seals are TAIYO original ones.

Note) The nominal code of packings may be changed.

Standard type/2 urethane rubber (rod A) / 210C-1

No.	Parts name	Material	Q'ty	Parts code			
				φ40	φ50	φ63	φ80
26	Piston packing	Urethane rubber	2	OUIS-40	OUIS-50	OUIS-63	OUIS-80A
27	Rod packing	Urethane rubber	1	ISI-28B	ISI-36B	ISI-45AB	ISI-56B
28	Dust wiper	Urethane rubber	1	LBI-28	LBI-36	LBI-45	LBI-56
29	O-ring for cover	Nitrile rubber	2	G-35	G-45	*1 G-58	G-75
30	O-ring for piston rod	Nitrile rubber	1	S-16-1B	P-22A-1B	P-30-1B	G-40-1B
31	O-ring for cushion ring	Nitrile rubber	1	—	*3 P-22A-1B	*3 P-30-1B	*3 G-45-1B
32	O-ring for bush	Nitrile rubber	1	G-30	G-40	G-55	G-65
33	Backup-ring for cushion ring	Fluoric resin	1	—	BUR-P22A	BUR-P30	BUR-G45
34	Backup-ring for cover	Fluoric resin	2	BUR-G35	BUR-G45	BUR-G58	BUR-G75
35	Backup-ring for bush	Fluoric resin	1	BUR-G31	BUR-G40	BUR-G55	BUR-G65
36	Backup-ring for piston seal	Fluoric resin	2	40×30×1.5	50×40×1.5	63×53×1.5	80×71×2
37	Backup-ring for rod seal	Fluoric resin	1	28×35.5×1	36×46×1.5	45×56×1.5	56×66×1.5
38	Valve seal	Canned hydrogenated nitrile rubber	2	CX-12H	CX-12H	CX-12H	CX-14H
39	O-ring for cushion valve	Hydrogenated nitrile rubber	2	—	—	—	—
40	Valve seal	Canned hydrogenated nitrile rubber	4	CX-12H	CX-12H	CX-12H	CX-14H
Packing set	Double acting single rod cylinder	—	1set	TC1/PKS2-040A	TC1/PKS2-050A	TC1/PKS2-063A	TC1/PKS2-080A

No.	Parts name	Material	Q'ty	Parts code			
				φ100	φ125	φ140	φ160
26	Piston packing	Urethane rubber	2	OUIS-100	OUIS-125	OUIS-140	OUIS-160
27	Rod packing	Urethane rubber	1	ISI-70B	ISI-90B	ISI-100B	ISI-110B
28	Dust wiper	Urethane rubber	1	LBI-70	LBI-90	LBI-100	LBI-110
29	O-ring for cover	Nitrile rubber	2	G-95	G-120	G-135	G-150
30	O-ring for piston rod	Nitrile rubber	1	G-50-1B	G-65-1B	G-70-1B	G-80-1B
31	O-ring for cushion ring	Nitrile rubber	1	*3 G-55-1B	*3 G-65-1B	G-75-1B	G-85-1B
32	O-ring for bush	Nitrile rubber	1	G-80	G-100	G-110	G-125
33	Backup-ring for cushion ring	Fluoric resin	1	BUR-G56	BUR-G65	BUR-G75	BUR-G85
34	Backup-ring for cover	Fluoric resin	2	BUR-G95	BUR-G120	BUR-G135	BUR-G150
35	Backup-ring for bush	Fluoric resin	1	BUR-G80	BUR-G100	BUR-G110	BUR-G125
36	Backup-ring for piston seal	Fluoric resin	2	100×85×3	125×112×3	125×140×3	145×160×3
37	Backup-ring for rod seal	Fluoric resin	1	70×80×1.5	90×105×2	100×115×2	110×125×2
38	Valve seal	Canned hydrogenated nitrile rubber	2	CR-18H	CR-18H	CR-22H	CR-22H
39	O-ring for cushion valve	Hydrogenated nitrile rubber	2	S-7	S-7	S-11.2	S-11.2
40	Valve seal	Canned hydrogenated nitrile rubber	4	CR-18H	CR-18H	CR-22H	CR-22H
Packing set	Double acting single rod cylinder	—	1set	TC1/PKS2-100A	TC1/PKS2-125A	TC1/PKS2-140A	TC1/PKS2-160A

● O-ring for the piston rod and * -marked items conform to JIS B2401-1B standard. Other O-rings conform to JIS B2401-1A. The models with * -marks conform to TAIYO standards. The hardness of the O-ring for cushion valve is HS90°.

● □ celled parts are TAIYO original Backup-rings.

● The Backup-ring for piston seal contains the bronze at the bore of 80 to 125mm.

● 26 27 28 seals are TAIYO original ones.

Note) The nominal code of packings may be changed.

Packing list

Standard type/ fluoric rubber (rod A) / 210C-1

No.	Parts name	Material	Q'ty	Parts code			
				φ40	φ50	φ63	φ80
26	Piston packing	Fluoric rubber	2	UHP-40	UHP-50	UHP-63	UHP-80
27	Rod packing	Fluoric rubber	1	UHR-28	UHR-36	UHR-45	UHR-56
28	Dust wiper	Fluoric rubber	1	DHS-28	DHS-36	DHS-45	DHS-56
29	O-ring for cover	Fluoric rubber	2	G-35	G-45	*1 G-58	G-75
30	O-ring for piston rod	Fluoric rubber	1	S-16	P-22A	P-30	G-40
31	O-ring for cushion ring	Fluoric rubber	1	—	*3 P-22A	*3 P-30	*3 G-45
32	O-ring for bush	Fluoric rubber	1	G-30	G-40	G-55	G-65
33	Backup-ring for cushion ring	Fluoric resin	1	—	BUR-P22A	BUR-P30	BUR-G45
34	Backup-ring for cover	Fluoric resin	2	BUR-G35	BUR-G45	BUR-G58	BUR-G75
35	Backup-ring for bush	Fluoric resin	1	BUR-G31	BUR-G40	BUR-G55	BUR-G65
36	Backup-ring for piston seal	Fluoric resin	2	40×30×1.5	50×40×1.5	63×53×1.5	80×71×2
37	Backup-ring for rod seal	Fluoric resin	1	28×35.5×1	36×46×1.5	45×56×1.5	56×66×1.5
38	Valve seal	Canned fluoric rubber	2	CX-12F	CX-12F	CX-12F	CX-14F
39	O-ring for cushion valve	Fluoric rubber	2	—	—	—	—
40	Valve seal	Canned fluoric rubber	4	CX-12F	CX-12F	CX-12F	CX-14F
Packing set	Double acting single rod cylinder	—	1 set	TC1/PKS3-040A	TC1/PKS3-050A	TC1/PKS3-063A	TC1/PKS3-080A

No.	Parts name	Material	Q'ty	Parts code	
				φ100	φ125
26	Piston packing	Fluoric rubber	2	UHP-100	UHP-125
27	Rod packing	Fluoric rubber	1	UHR-70	UHR-90
28	Dust wiper	Fluoric rubber	1	DHS-70	DHS-90
29	O-ring for cover	Fluoric rubber	2	G-95	G-120
30	O-ring for piston rod	Fluoric rubber	1	G-50	G-65
31	O-ring for cushion ring	Fluoric rubber	1	*3 G-55	*3 G-65
32	O-ring for bush	Fluoric rubber	1	G-80	G-100
33	Backup-ring for cushion ring	Fluoric resin	1	BUR-G56	BUR-G65
34	Backup-ring for cover	Fluoric resin	2	BUR-G95	BUR-G120
35	Backup-ring for bush	Fluoric resin	1	BUR-G80	BUR-G100
36	Backup-ring for piston seal	Fluoric resin	2	100×85×3	125×112×3
37	Backup-ring for rod seal	Fluoric resin	1	70×80×1.5	90×105×2
38	Valve seal	Canned fluoric rubber	2	CR-18F	CR-18F
39	O-ring for cushion valve	Fluoric rubber	2	*3 S-7	*3 S-7
40	Valve seal	Canned fluoric rubber	4	CR-18F	CR-18F
Packing set	Double acting single rod cylinder	—	1 set	TC1/PKS3-100A	TC1/PKS3-125A

• The hardness of the O-ring for piston rod and *3 marked items is HS90°. Other O-rings conform to JIS B2401-4D. The models with *3-marks conform to TAIYO standards.

• celled parts are TAIYO original Backup-rings.

• The Backup-ring for piston seal contains the bronze at the bore of 80 to 125mm.

Note) The nominal code of packings may be changed.

Standard type/6 hydrogenated nitrile rubber (rod A) / 210C-1

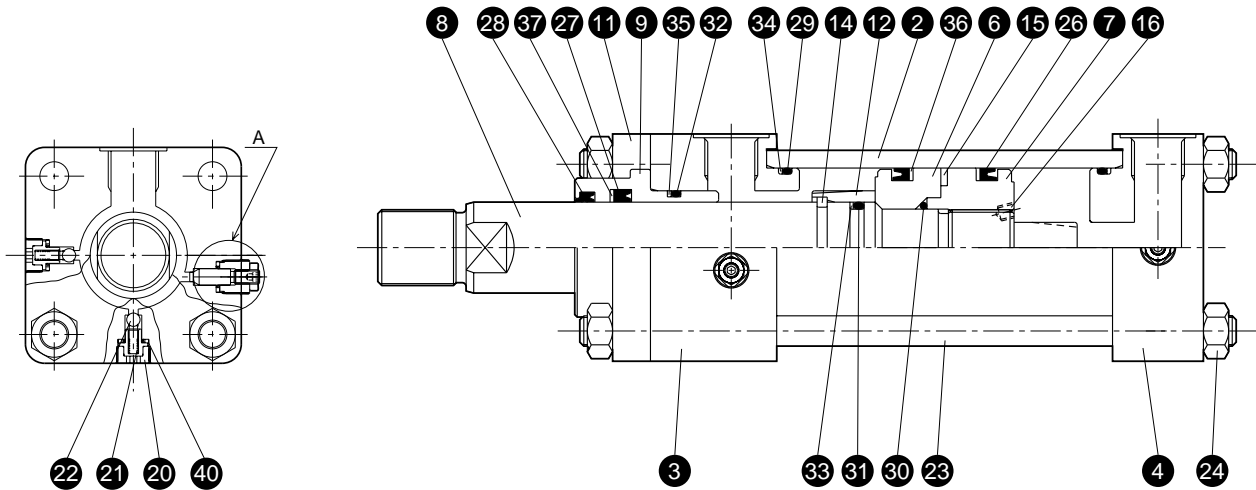
No.	Parts name	Material	Q'ty	Parts code			
				φ40	φ50	φ63	φ80
26	Piston packing	Hydrogenated nitrile rubber	2	UHP-40	UHP-50	UHP-63	UHP-80
27	Rod packing	Hydrogenated nitrile rubber	1	UHR-28	UHR-36	UHR-45	UHR-56
28	Dust wiper	Hydrogenated nitrile rubber	1	DHS-28	DHS-36	DHS-45	DHS-56
29	O-ring for cover	Hydrogenated nitrile rubber	2	G-35	G-45	*1 G-58	G-75
30	O-ring for piston rod	Hydrogenated nitrile rubber	1	S-16	P-22A	P-30	G-40
31	O-ring for cushion ring	Hydrogenated nitrile rubber	1	—	P-22A	P-30	G-45
32	O-ring for bush	Hydrogenated nitrile rubber	1	G-30	G-40	G-55	G-65
33	Backup-ring for cushion ring	Fluoric resin	1	—	BUR-P22A	BUR-P30	BUR-G45
34	Backup-ring for cover	Fluoric resin	2	BUR-G35	BUR-G45	BUR-G58	BUR-G75
35	Backup-ring for bush	Fluoric resin	1	BUR-G31	BUR-G40	BUR-G55	BUR-G65
36	Backup-ring for piston seal	Fluoric resin	2	40×30×1.5	50×40×1.5	63×53×1.5	80×71×2
37	Backup-ring for rod seal	Fluoric resin	1	28×35.5×1	36×46×1.5	45×56×1.5	56×66×1.5
38	Valve seal	Canned hydrogenated nitrile rubber	2	CX-12H	CX-12H	CX-12H	CX-14H
39	O-ring for cushion valve	Hydrogenated nitrile rubber	2	—	—	—	—
40	Valve seal	Canned hydrogenated nitrile rubber	4	CX-12H	CX-12H	CX-12H	CX-14H
Packing set	Double acting single rod cylinder	—	1set	TC1/PKS6-040A	TC1/PKS6-050A	TC1/PKS6-063A	TC1/PKS6-080A

No.	Parts name	Material	Q'ty	Parts code	
				φ100	φ125
26	Piston packing	Hydrogenated nitrile rubber	2	UHP-100	UHP-125
27	Rod packing	Hydrogenated nitrile rubber	1	UHR-70	UHR-90
28	Dust wiper	Hydrogenated nitrile rubber	1	DHS-70	DHS-90
29	O-ring for cover	Hydrogenated nitrile rubber	2	G-95	G-120
30	O-ring for piston rod	Hydrogenated nitrile rubber	1	G-50	G-65
31	O-ring for cushion ring	Hydrogenated nitrile rubber	1	G-55	G-65
32	O-ring for bush	Hydrogenated nitrile rubber	1	G-80	G-100
33	Backup-ring for cushion ring	Fluoric resin	1	BUR-G56	BUR-G65
34	Backup-ring for cover	Fluoric resin	2	BUR-G95	BUR-G120
35	Backup-ring for bush	Fluoric resin	1	BUR-G80	BUR-G100
36	Backup-ring for piston seal	Fluoric resin	2	100×85×3	125×112×3
37	Backup-ring for rod seal	Fluoric resin	1	70×80×1.5	90×105×2
38	Valve seal	Canned hydrogenated nitrile rubber	2	CR-18H	CR-18H
39	O-ring for cushion valve	Hydrogenated nitrile rubber	2	S-7	S-7
40	Valve seal	Canned hydrogenated nitrile rubber	4	CR-18H	CR-18H
Packing set	Double acting single rod cylinder	—	1set	TC1/PKS6-100A	TC1/PKS6-125A

- The hardness of the O-ring is HS90°. The models with * marks conform to TAIYO standards.
 - celled parts are TAIYO original Backup-rings.
 - The Backup-ring for piston seal contains the bronze at the bore of 80 to 125mm.
- Note) The nominal code of packings may be changed.

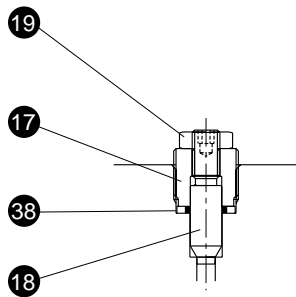
Double acting single rod/switch set/210C-1R (rod A, B)

- Bore $\phi 40 - \phi 80$



Enlarged drawing of A (cushion valve)

- Bore $\phi 40 - \phi 80$



Parts list

No..	Name	Material	Q'ty
②	Cylinder tube	Stainless steel	1
③	Rod cover	Carbon steel for machine structural use	1
④	Head cover	Carbon steel for machine structural use	1
⑥	Piston R	Copper alloy	1
⑦	Piston H	Copper alloy	1
⑧	Piston rod	Carbon steel for machine structural use	1
⑨	Bush	Copper alloy	1
⑪	Retainer	Carbon steel for machine structural use	1
⑫	Cushion ring	Copper alloy ($\phi 40 - \phi 63$) Spheroidal graphite iron castings ($\phi 80$)	1
⑬	Wear ring	Synthetic resin	(2)
⑭	Stop ring	Carbon steel for machine structural use ($\phi 50 - \phi 80$)	(1)
⑮	Magnet	—	1
⑯	Set screw	Chrome molybdenum steel	1
⑰	Cushion plug	Carbon steel for machine structural use	2
⑱	Cushion valve	Chrome molybdenum steel	2
⑲	Cushion lock nut	Carbon steel for machine structural use	2
⑳	Check plug	Carbon steel for machine structural use	4
㉑	Check spring	Piano wire	4
㉒	Check ball	High carbon chromium bearing steel	4
㉓	Tie rod	Chrome molybdenum steel	4
㉔	Tie rod nut (type 2)	Carbon steel for machine structural use	8

- The quantities shown in the table above are applicable to the type with both ends cushioned.
- The item with the quantity in the () mark may not be used depending on the bore and rod dia.



- Precautions for fitting of valve seals ⑳, ㉑

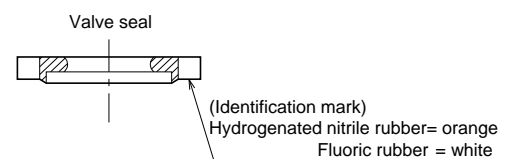
The valve seals, ⑳ and ㉑, must be fit in the specified direction and sequences. Wrong fitting direction and sequences will lead to the damaged packings, causing oil leak.

Fitting sequences

- ① Check the direction of a valve seal.
The marked side must be faced inside (refer to Fig.1).
- ② Fit the valve seal to the shaft of the cushion valve or the shaft of the check plug in correct fitting direction (refer to Fig.2).
- ③ Take care to prevent the valve seal from being dropped, and screw it in (refer to Fig.3).

Note) If the seal is first fit in the cover hole, and then, it is screwed in, it may be damaged.

Fig.1



Fit with the marked side facing inside of the cylinder.

Fig.2

Check plug

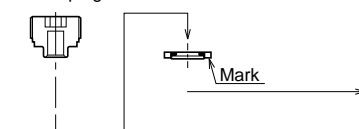
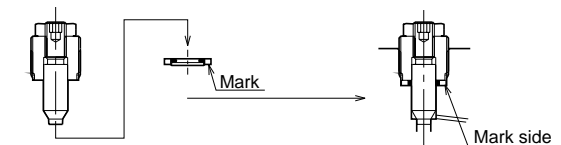


Fig.3

Cushion valve



(Valve seal fitting sequences)

Packing list

Switch set/**1** nitrile rubber (rod B) / 210C-1R

No.	Parts name	Material	Q'ty	Parts code			
				φ40	φ50	φ63	φ80
26	Piston packing	Nitrile rubber	2	OUHR-40	OUHR-50	OUHR-63	OUHR-80A
27	Rod packing	Nitrile rubber	1	IUH-22A	IUH-28	IUH-36	IUH-45A
28	Dust wiper	Nitrile rubber	1	LBH-22	LBH-28	LBH-36	LBH-45
29	O-ring for cover	Nitrile rubber	2	G-35	G-45	*1 G-58	G-75
30	O-ring for piston rod	Nitrile rubber	1	JASO-1018-1B	AS568-119-1B	G-30-1B	G-35-1B
31	O-ring for cushion ring	Nitrile rubber	1	—	*3 P-22A-1B	*3 P-30-1B	*3 G-45-1B
32	O-ring for bush	Nitrile rubber	1	G-25	G-30	G-40	G-55
33	Backup-ring for cushion ring	Fluoric resin	1	—	BUR-P22A	BUR-P30	BUR-G45
34	Backup-ring for cover	Fluoric resin	2	BUR-G35	BUR-G45	BUR-G58	BUR-G75
35	Backup-ring for bush	Fluoric resin	1	BUR-G25	BUR-G31	BUR-G40	BUR-G55
36	Backup-ring for piston seal	Fluoric resin	2	40×30×1.5	50×40×1.5	63×53×1.5	80×71×2
37	Backup-ring for rod seal	Fluoric resin	1	22×30×1	28×35.5×1	36×46×1.5	45×56×1.5
38	Valve seal	Canned hydrogenated nitrile rubber	2	CX-12H	CX-12H	CX-12H	CX-14H
39	O-ring for cushion valve	Hydrogenated nitrile rubber	2	—	—	—	—
40	Valve seal	Canned hydrogenated nitrile rubber	4	CX-12H	CX-12H	CX-12H	CX-14H
Packing set	Double acting single rod cylinder	—	1 set	TC1R/PKS1-040B	TC1R/PKS1-050B	TC1R/PKS1-063B	TC1R/PKS1-080B

Switch set/**1** nitrile rubber (rod A) / 210C-1R

No.	Parts name	Material	Q'ty	Parts code			
				φ40	φ50	φ63	φ80
26	Piston packing	Nitrile rubber	2	OUHR-40	OUHR-50	OUHR-63	OUHR-80A
27	Rod packing	Nitrile rubber	1	IUH-28	IUH-36	IUH-45A	IUH-56
28	Dust wiper	Nitrile rubber	1	LBH-28	LBH-36	LBH-45	LBH-56
29	O-ring for cover	Nitrile rubber	2	G-35	G-45	*1 G-58	G-75
30	O-ring for piston rod	Nitrile rubber	1	JASO-1018-1B	AS568-119-1B	G-30-1B	G-35-1B
31	O-ring for cushion ring	Nitrile rubber	1	—	*3 P-22A-1B	*3 P-30-1B	*3 G-45-1B
32	O-ring for bush	Nitrile rubber	1	G-30	G-40	G-55	G-65
33	Backup-ring for cushion ring	Fluoric resin	1	—	BUR-P22A	BUR-P30	BUR-G45
34	Backup-ring for cover	Fluoric resin	2	BUR-G35	BUR-G45	BUR-G58	BUR-G75
35	Backup-ring for bush	Fluoric resin	1	BUR-G31	BUR-G40	BUR-G55	BUR-G65
36	Backup-ring for piston seal	Fluoric resin	2	40×30×1.5	50×40×1.5	63×53×1.5	80×71×2
37	Backup-ring for rod seal	Fluoric resin	1	28×35.5×1	36×46×1.5	45×56×1.5	56×66×1.5
38	Valve seal	Canned hydrogenated nitrile rubber	2	CX-12H	CX-12H	CX-12H	CX-14H
39	O-ring for cushion valve	Hydrogenated nitrile rubber	2	—	—	—	—
40	Valve seal	Canned hydrogenated nitrile rubber	4	CX-12H	CX-12H	CX-12H	CX-14H
Packing set	Double acting single rod cylinder	—	1 set	TC1R/PKS1-040A	TC1R/PKS1-050A	TC1R/PKS1-063A	TC1R/PKS1-080A

• celled parts are TAIYO original Backup-rings.

Note) The nominal code of packings may be changed.

Switch set/2 urethane rubber (rod B) / 210C-1R

No.	Parts name	Material	Q'ty	Parts code			
				φ40	φ50	φ63	φ80
26	Piston packing	Urethane rubber	2	OUIS-40	OUIS-50	OUIS-63	OUIS-80A
27	Rod packing	Urethane rubber	1	ISI-22AB	ISI-28B	ISI-36B	ISI-45AB
28	Dust wiper	Urethane rubber	1	LBI-22	LBI-28	LBI-36	LBI-45
29	O-ring for cover	Nitrile rubber	2	G-35	G-45	*1 G-58	G-75
30	O-ring for piston rod	Nitrile rubber	1	JASO-1018-1B	AS568-119-1B	G-30-1B	G-35-1B
31	O-ring for cushion ring	Nitrile rubber	1	—	*3 P-22A-1B	*3 P-30-1B	*3 G-45-1B
32	O-ring for bush	Nitrile rubber	1	G-25	G-30	G-40	G-55
33	Backup-ring for cushion ring	Fluoric resin	1	—	BUR-P22A	BUR-P30	BUR-G45
34	Backup-ring for cover	Fluoric resin	2	BUR-G35	BUR-G45	BUR-G58	BUR-G75
35	Backup-ring for bush	Fluoric resin	1	BUR-G25	BUR-G31	BUR-G40	BUR-G55
36	Backup-ring for piston seal	Fluoric resin	2	40×30×1.5	50×40×1.5	63×53×1.5	80×71×2
37	Backup-ring for rod seal	Fluoric resin	1	22×30×1	28×35.5×1	36×46×1.5	45×56×1.5
38	Valve seal	Canned hydrogenated nitrile rubber	2	CX-12H	CX-12H	CX-12H	CX-14H
39	O-ring for cushion valve	Hydrogenated nitrile rubber	2	—	—	—	—
40	Valve seal	Canned hydrogenated nitrile rubber	4	CX-12H	CX-12H	CX-12H	CX-14H
Packing set	Double acting single rod cylinder	—	1 set	TC1R/PKS2-040B	TC1R/PKS2-050B	TC1R/PKS2-063B	TC1R/PKS2-080B

Switch set/2 urethane rubber (rod A) / 210C-1R

No.	Parts name	Material	Q'ty	Parts code			
				φ40	φ50	φ63	φ80
26	Piston packing	Urethane rubber	2	OUIS-40	OUIS-50	OUIS-63	OUIS-80A
27	Rod packing	Urethane rubber	1	ISI-28B	ISI-36B	ISI-45AB	ISI-56B
28	Dust wiper	Urethane rubber	1	LBI-28	LBI-36	LBI-45	LBI-56
29	O-ring for cover	Nitrile rubber	2	G-35	G-45	*1 G-58	G-75
30	O-ring for piston rod	Nitrile rubber	1	JASO-1018-1B	AS568-119-1B	G-30-1B	G-35-1B
31	O-ring for cushion ring	Nitrile rubber	1	—	*3 P-22A-1B	*3 P-30-1B	*3 G-45-1B
32	O-ring for bush	Nitrile rubber	1	G-30	G-40	G-55	G-65
33	Backup-ring for cushion ring	Fluoric resin	1	—	BUR-P22A	BUR-P30	BUR-G45
34	Backup-ring for cover	Fluoric resin	2	BUR-G35	BUR-G45	BUR-G58	BUR-G75
35	Backup-ring for bush	Fluoric resin	1	BUR-G31	BUR-G40	BUR-G55	BUR-G65
36	Backup-ring for piston seal	Fluoric resin	2	40×30×1.5	50×40×1.5	63×53×1.5	80×71×2
37	Backup-ring for rod seal	Fluoric resin	1	28×35.5×1	36×46×1.5	45×56×1.5	56×66×1.5
38	Valve seal	Canned hydrogenated nitrile rubber	2	CX-12H	CX-12H	CX-12H	CX-14H
39	O-ring for cushion valve	Hydrogenated nitrile rubber	2	—	—	—	—
40	Valve seal	Canned hydrogenated nitrile rubber	4	CX-12H	CX-12H	CX-12H	CX-14H
Packing set	Double acting single rod cylinder	—	1set	TC1R/PKS2-040A	TC1R/PKS2-050A	TC1R/PKS2-063A	TC1R/PKS2-080A

● celled parts are TAIYO original Backup-rings.

Note) The nominal code of packings may be changed.