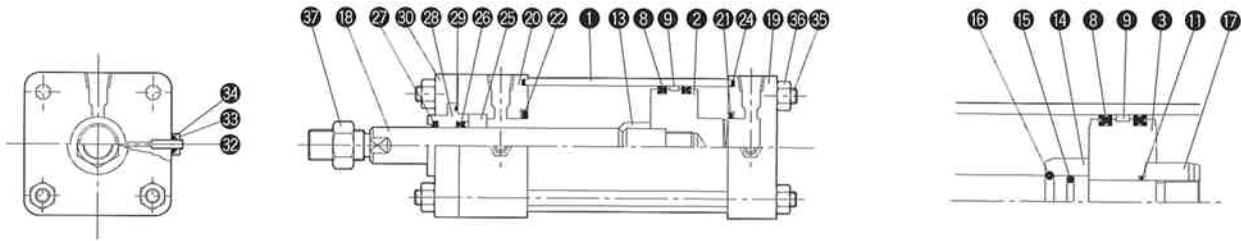
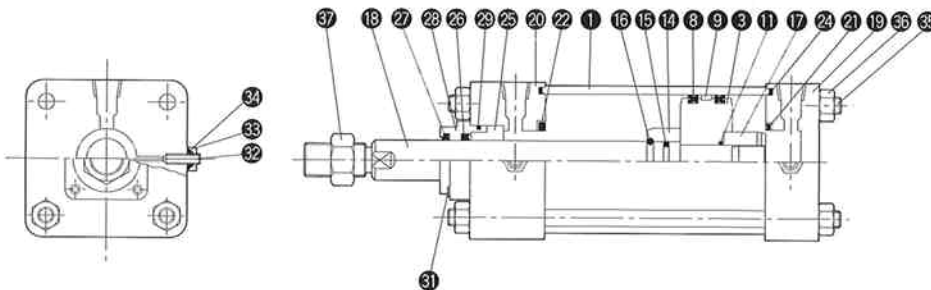


STANDARD TYPE ( $\phi 32 - \phi 250$ ). VAL SET ( $\phi 40 - \phi 100$ )•Bore  $\phi 32 - \phi 63$ •Bore  $\phi 80 - \phi 100$ •Bore  $\phi 125 - \phi 250$ 

## PARTS LIST

No.	Name	Material	Piece
①	Cylinder tube	Carbon steel	1
②	Piston ( $\phi 32 - \phi 63$ )	Carbon steel	1
③	Piston ( $\phi 80 - \phi 250$ )	Carbon steel	1
⑨	Wear ring	Synthetic resin	*
⑪	O-ring for piston rod	Nitrile rubber	1
⑬	Cushion ring ( $\phi 32 - \phi 63$ )	Brass tube	1
⑭	Cushion ring ( $\phi 80 - \phi 250$ )	Structural rolled steel	1
⑮	O-ring for cushion ring	Nitrile rubber	1
⑯	Stop ring	Piano wire	1
⑰	Piston nut	Structural rolled steel	1
⑱	Head cover	Carbon steel ( $\phi 32 - \phi 100$ ) Structural rolled steel ( $\phi 125 - \phi 250$ )	1
⑳	Rod cover	Carbon steel ( $\phi 32 - \phi 100$ ) Structural rolled steel ( $\phi 125 - \phi 250$ )	1

No.	Name	Material	Piece
⑳	Bush	Sintered oil-less bearing	1
㉘	Seal housing	Carbon steel	1
㉚	Retainer	Carbon steel	1
㉛	Set screw-seal housing	Chrome molybden steel	4
㉜	Cushion valve	Chrome molybden steel	2
㉝	Cushion lock nut	Structural rolled steel	2
㉞	Tie rod	Carbon steel	4
㉟	Tie rod nut	Structural rolled steel	8
㊱	Lock nut-rod end accessory	Structural rolled steel	1

Note) As for the quantity of \* mark, below  $\phi 100$  is one, and above  $\phi 125$  is two. And ㉘ is used with dust-proof cover only.

## SEALS LIST

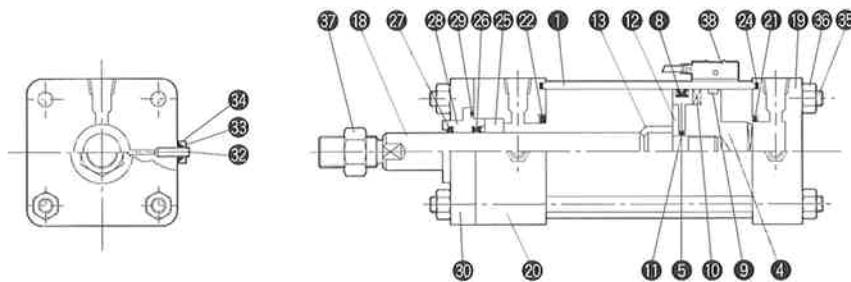
Name	⑧	㉑	㉒	㉔	㉖	㉗	㉙	㉚	Seal set Type
Nos. of piece	Piston seal	Cushion Seal (Cap)	Cushion Seal (Head cover)	End seal	Rod seal	Wiper seal	Seal housing O-ring	Cushion needle Seal	
Bore	2	1	1	2	1	1	1	2	1 set
$\phi 32$	PNU-24	HM-15	HM-15	TX-32	PNU-12	DA-12	S-25	SF-6	AA2/PKS-032
$\phi 40$	PNU-30	HM-20	HM-20	TX-40	PNU-16A	DA-16	S-30	SF-6	AA2/PKS-040
$\phi 50$	PNU-40	HM-28	HM-28	TX-50	PNU-22	DA-22	S-38	SF-6	AA2/PKS-050
$\phi 63$	PNU-53	HM-28	HM-28	TX-63	PNU-22	DA-22	S-38	SF-8	AA2/PKS-063
$\phi 80$	PNU-70	HM-35	HM-40	TX-80	PNU-25A	DA-25	G-45	SF-8	AA2/PKS-080
$\phi 100$	PNU-90	HM-35	HM-40	TX-100	PNU-25A	DA-25	G-45	SF-8	AA2/PKS-100
$\phi 125$	PNU-115	HM-40	CPC-45	TX-125	PNU-32	DA-32	G-45	SF-8	AA2/PKS-125
$\phi 140$	PNU-125	CPC-50	CPC-55	TO-140	PNU-40	DA-40	G-55	SF-10	AA2/PKS-140
$\phi 160$	PNU-145	CPC-50	CPC-55	TO-160	PNU-40	DA-40	G-55	SF-10	AA2/PKS-160
$\phi 180$	PNU-165	CPC-50	CPC-55	TO-180	PNU-40	DA-40	G-55	SF-10	AA2/PKS-180
$\phi 200$	PNU-185	CPC-50	CPC-55	TO-200	PNU-40	DA-40	G-55	SF-10	AA2/PKS-200
$\phi 250$	PNU-230	CPC-60	CPC-60	TO-250	PNU-45	DA-45	G-60	SF-10	AA2/PKS-250

• O-rings are JIS B2401-1A.

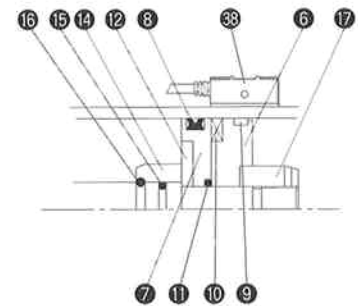
• The nominal code of packings may be changed.

## SWITCH SET (φ32 - φ160). SV SET (φ40 - φ100)

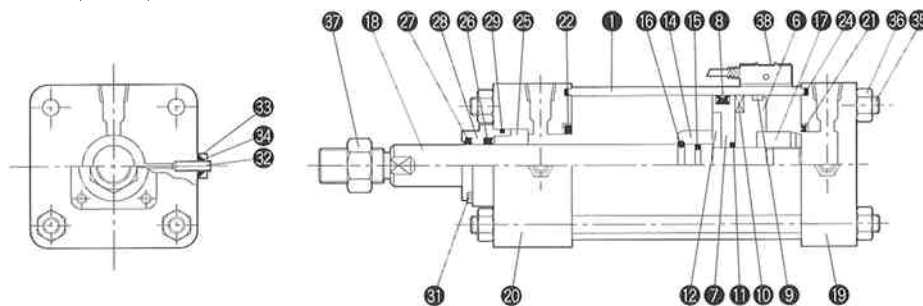
•Bore φ32 - φ63



•Bore φ80·φ100



•Bore φ125·φ140·φ160



### PARTS LIST

No.	Name	Material	Piece
1	Cylinder tube	Aluminum tube	1
4	Piston A (φ32 - φ63)	Aluminum alloy	1
5	Piston B (φ32 - φ63)	Aluminum alloy	1
6	Piston A (φ80 - φ160)	Aluminum alloy	1
7	Piston B (φ80 - φ160)	Aluminum alloy	1
9	Wear ring	Synthetic resin	*
10	Magnet	Plastic	1
11	O-ring for piston rod	Nitrile rubber	1
12	Piston washer	Structural rolled steel	1
13	Cushion ring (φ32 - φ63)	Brass tube	1
14	Cushion ring (φ80 - φ250)	Structural rolled steel	1
15	O-ring for cushion ring	Nitrile rubber	1
16	Stop ring	Piano wire	1
17	Piston nut	Structural rolled steel	1
18	Piston rod	Stainless (φ32) Carbon steel (φ40 - φ160)	1

No.	Name	Material	Piece
19	Head cover	Carbon steel (φ32 - φ100) Structural rolled steel (φ125 - φ160)	1
20	Rod cover	Carbon steel (φ32 - φ100) Structural rolled steel (φ125 - φ160)	1
25	Bush	Sintered oil-less bearing	1
28	Seal housing	Carbon steel	1
30	Retainer	Carbon steel	1
31	Set screw-seal housing	Chrome molybdenum steel	4
32	Cushion valve	Chrome molybdenum steel	2
33	Cushion lock nut	Structural rolled steel	2
35	Tie rod	Carbon steel	4
36	Tie rod nut	Structural rolled steel	8
37	Lock nut for rod end accessory	Structural rolled steel	1
38	Switch	-	-

Note) As for the quantity of \* mark, below φ100 is one, and above φ125 is two. And 28 is used with dust-proof cover only.

### SEALS LIST

Name	8	21	22	24	26	27	29	34	Seal set Type
Nos. of piece	Piston seal	Cushion Seal (Cap)	Cushion Seal (Head cover)	End seal	Rod seal	Wiper seal	Seal housing O-ring	Cushion needle Seal	
Bore	1	1	1	2	1	1	1	2	1 set
φ32	PNX-32	HM-15	HM-15	TX-32	PNU-12	DA-12	S-25	SF-6	AA2R/PKS-032
φ40	PNX-40	HM-20	HM-20	TX-40	PNU-16A	DA-16	S-30	SF-6	AA2R/PKS-040
φ50	PNX-50	HM-28	HM-28	TX-50	PNU-22	DA-22	S-38	SF-6	AA2R/PKS-050
φ63	PNX-63	HM-28	HM-28	TX-63	PNU-22	DA-22	S-38	SF-8	AA2R/PKS-063
φ80	PNX-80	HM-35	HM-40	TX-80	PNU-25A	DA-25	S-45	SF-8	AA2R/PKS-080
φ100	PNX-100	HM-35	HM-40	TX-100	PNU-25A	DA-25	S-45	SF-8	AA2R/PKS-100
φ125	PNX-125	HM-40	CPC-45	TX-125	PNU-32	DA-32	S-45	SF-8	AA2R/PKS-125
φ140	PNX-140	CPC-50	CPC-55	TO-140	PNU-40	DA-40	S-55	SF-10	AA2R/PKS-140
φ160	PNX-160	CPC-50	CPC-55	TO-160	PNU-40	DA-40	S-55	SF-10	AA2R/PKS-160

- O-rings are JIS B2401-1A.
- The nominal code of packings may be changed.