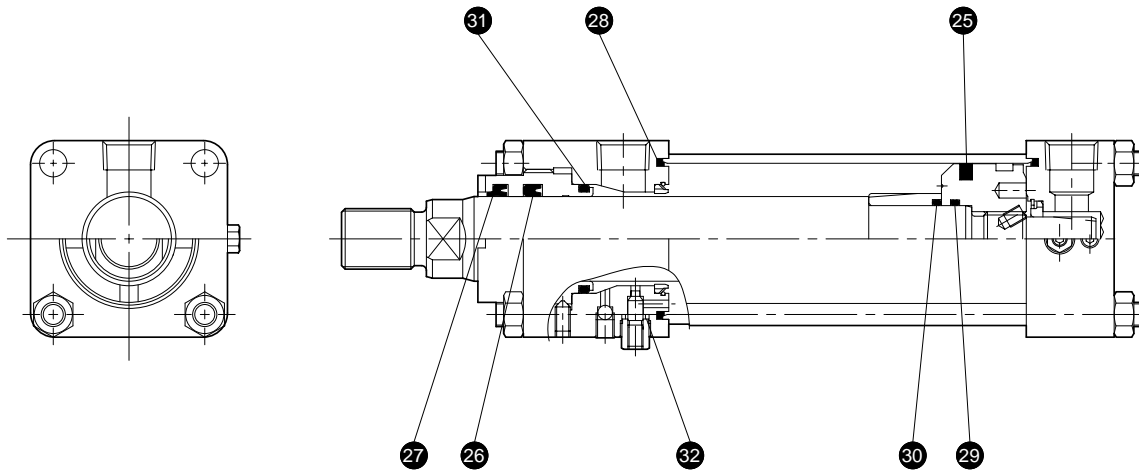
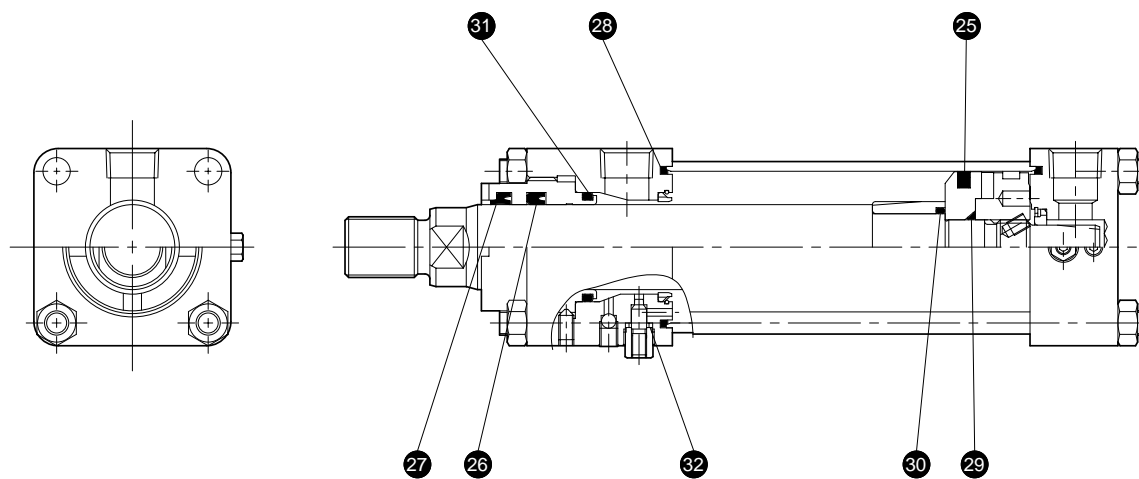
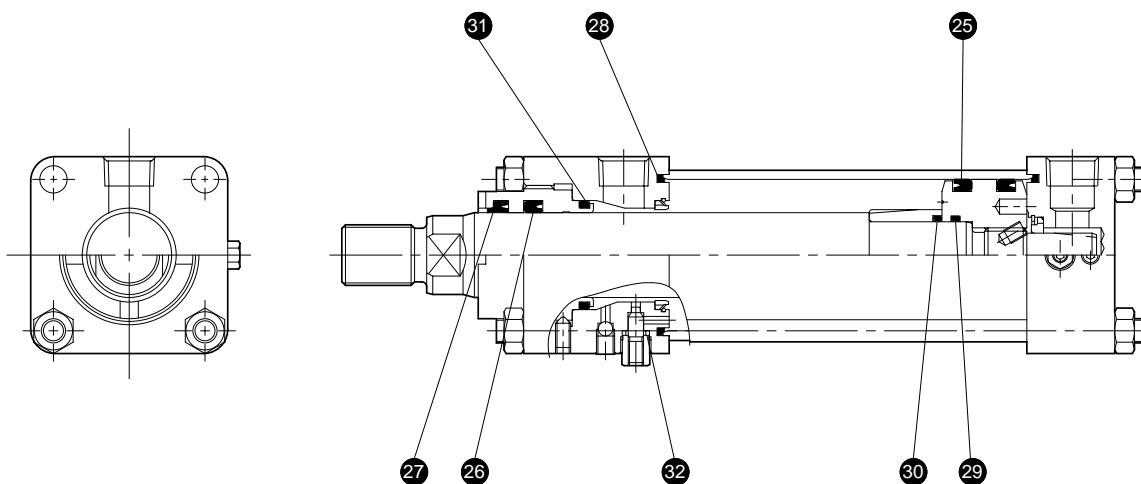
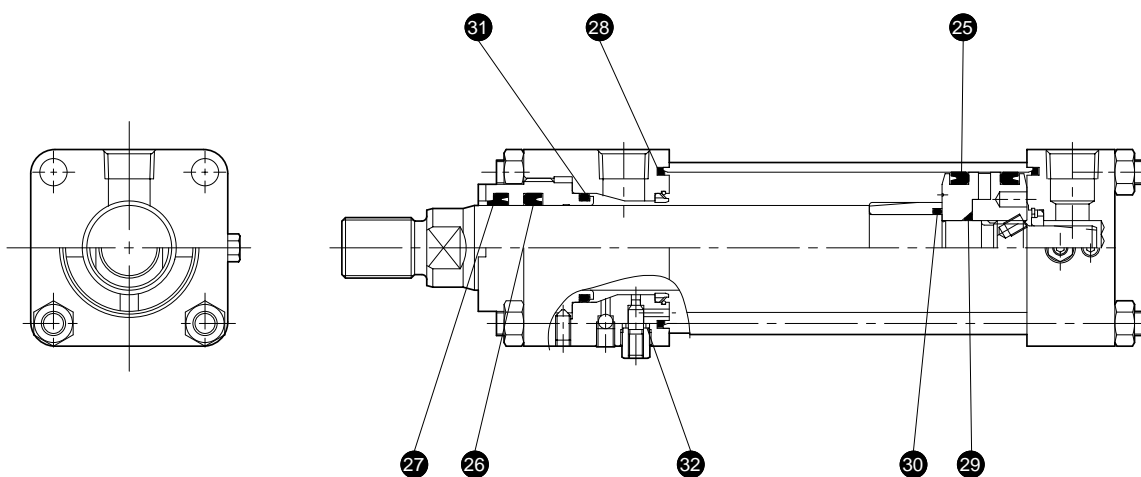


Double acting single rod/Standard type/100H-2**Seal material:** 2 Urethane rubber, 8 combined seal**Double acting single rod/Switch set/100H-2R****Seal material:** 2 Urethane rubber, 8 combined seal

Double acting single rod/Standard type/100H-2Seal material: 1 Nitrile rubber, 6 Hydrogenated nitrile rubber**Double acting single rod/Switch set/100H-2R**Seal material: 1 Nitrile rubber, 6 Hydrogenated nitrile rubber

Seal kit

1 Nitrile rubber/100H-2, 100H-2R

No.	Parts name		Material	Q'ty.	Parts code			
					φ32	φ40	φ50	φ63
25	Piston seal		Hydrogenated nitrile rubber	2	OUHR 32X25X5	OUHR 40X32X5.4	OUHR 50X42X5.4	OUHR 63X55X5.4
26	Rod seal		Hydrogenated nitrile rubber	1	IUH18X25 X5	IUH22X29 X5	IUH28X36 X5.4	IUH36X44 X5.4
27	Wiper ring		Hydrogenated nitrile rubber	1	LBH18X24 X3.5X4.5	LBH22X28 X3.5X4.5	LBH28X36 X4.5X6	LBH36X44 X4.5X6
28	Cover seal		Nitrile rubber	2	TT-32	TT-40	TT-50	TX-63
29	O-ring for piston rod	(w/o switch)	Nitrile rubber	1	S-12.5	P-18	P-22	G-30
		(w/ switch)	Nitrile rubber	1	P-15	P-15	P-18	G-25
30	O-ring for cushion ring		Nitrile rubber	1	S-15	S-18	P-22	G-30
31	O-ring for bush		Nitrile rubber	1	P-21	G-25	G-30	G-40
32	Valve seal		Canned hydrogenated nitrile rubber	2	CX-8H	CX-8H	CX-8H	CX-8H
Seal kit	100H-2 (standard type)			1 set	RH1/PKS1 -032B	QH2/PKS1 -040B	QH2/PKS1 -050B	QH2/PKS1 -063B
	100H-2R (switch set)			1 set	RH1R/PKS1 -032B	QH2R/PKS1 -040B	QH2R/PKS1 -050B	QH2R/PKS1 -063B

No.	Parts name		Material	Q'ty.	Parts code		
					φ80	φ100	φ125
25	Piston seal		Hydrogenated nitrile rubber	2	OUHR 80X70X6.5	OUHR 100X90X6.5	OUHR 125X110X9.6
26	Rod seal		Hydrogenated nitrile rubber	1	IUH45X53X 5.4	IUH56X66X 6.5	IUH70X80 X6.5
27	Wiper ring		Hydrogenated nitrile rubber	1	LBH45X53 X4.5X6	LBH56X66 X5X6.5	LBH70X80 X5X6.5
28	Cover seal		Nitrile rubber	2	TX-80	TX-100	TX-125
29	O-ring for piston rod	(w/o switch)	Nitrile rubber	1	G-40	G-50	G-65
		(w/ switch)	Nitrile rubber	1	G-35	G-45	G-55
30	O-ring for cushion ring		Nitrile rubber	1	G-40	G-50	G-65
31	O-ring for bush		Nitrile rubber	1	G-50	G-60	G-80
32	Valve seal		Canned hydrogenated nitrile rubber	2	CX-12H	CX-12H	CX-14H
Seal kit	100H-2 (standard type)			1 set	QH2/PKS1 -080B	QH2/PKS1 -100B	QH2/PKS1 -125B
	100H-2R (switch set)			1 set	QH2R/PKS1 -080B	QH2R/PKS1 -100B	QH2R/PKS1 -125B

- S-12.5 is made of hydrogenated nitrile rubber with hardness of 70. Other O-rings conform to JIS B 2401-1A.
- Note) Nominal seal models are subject to change.

Seal kit

2 Urethane rubber/100H-2, 100H-2R

No.	Parts name		Material	Q'ty.	Parts code			
					φ32	φ40	φ50	φ63
25	Piston seal		Urethane rubber + Nitrile rubber	1	KR0032 00701	KR3040 00701	KR0050 00701	KR0063 00701
26	Rod seal		Urethane rubber	1	B31826 P5008	B32229 P5008	B32836 P5008	B33644 P5008
27	Wiper ring		Urethane rubber	1	AY1080 P5008	AY2020 P5008	AY2080 P5008	AY3060 P5008
28	Cover seal		Nitrile rubber	2	TT-32	TT-40	TT-50	TX-63
29	O-ring for piston rod	(w/o switch)	Nitrile rubber	1	S-12.5	P-18	P-22	G-30
		(w/ switch)	Nitrile rubber	1	S-12.5	P-15	P-18	G-25
30	O-ring for cushion ring		Nitrile rubber	1	S-15	S-18	P-22	G-30
31	O-ring for bush		Nitrile rubber	1	P-21	G-25	G-30	G-40
32	Valve seal		Canned hydrogenated nitrile rubber	2	CX-8H	CX-8H	CX-8H	CX-8H
Seal kit	100H-2 (standard type)			1 set	RH1/PKS2 -032B	QH2/PKS2 -040B	QH2/PKS2 -050B	QH2/PKS2 -063B
	100H-2R (switch set)			1 set	RH1R/PKS2 -032B	QH2R/PKS2 -040B	QH2R/PKS2 -050B	QH2R/PKS2 -063B

No.	Parts name		Material	Q'ty.	Parts code		
					φ80	φ100	φ125
25	Piston seal		Urethane rubber + Nitrile rubber	1	KR4080 00701	KR0100 00701	KR0125 00701
26	Rod seal		Urethane rubber	1	B34050 P5008	B35666 P5008	B37079 P5008
27	Wiper ring		Urethane rubber	1	AY4045 P5008	AY5060 P5008	AY7000 P5008
28	Cover seal		Nitrile rubber	2	TX-80	TX-100	TX-125
29	O-ring for piston rod	(w/o switch)	Nitrile rubber	1	G-40	G-50	G-65
		(w/ switch)	Nitrile rubber	1	G-35	G-45	G-55
30	O-ring for cushion ring		Nitrile rubber	1	G-40	G-50	G-65
31	O-ring for bush		Nitrile rubber	1	G-50	G-60	G-80
32	Valve seal		Canned hydrogenated nitrile rubber	2	CX-12H	CX-12H	CX-14H
Seal kit	100H-2 (standard type)			1 set	QH2/PKS2 -080B	QH2/PKS2 -100B	QH2/PKS2 -125B
	100H-2R (switch set)			1 set	QH2R/PKS2 -080B	QH2R/PKS2 -100B	QH2R/PKS2 -125B

- S-12.5 is made of hydrogenated nitrile rubber with hardness of 70. Other O-rings conform to JIS B 2401-1A.
Note) Nominal seal models are subject to change.

Seal kit

6 Hydrogenated nitrile rubber/100H-2, 100H-2R

No.	Parts name		Material	Q'ty.	Parts code			
					φ32	φ40	φ50	φ63
25	Piston seal		Hydrogenated nitrile rubber	2	OUHR 32X25X5	OUHR 40X32X5.4	OUHR 50X42X5.4	OUHR 63X55X5.4
26	Rod seal		Hydrogenated nitrile rubber	1	IUH18X25 X5	IUH22X29 X5	IUH28X36 X5.4	IUH36X44 X5.4
27	Wiper ring		Hydrogenated nitrile rubber	1	LBH18X24 X3.5X4.5	LBH22X28 X3.5X4.5	LBH28X36 X4.5X6	LBH36X44 X4.5X6
28	Cover seal		Hydrogenated nitrile rubber	2	TT-32	TT-40	TT-50	TX-63
29	O-ring for piston rod	(w/o switch)	Hydrogenated nitrile rubber	1	S-12.5	P-18	P-22	G-30
		(w/ switch)	Hydrogenated nitrile rubber	1	P-15	P-15	P-18	G-25
30	O-ring for cushion ring		Hydrogenated nitrile rubber	1	S-15	S-18	P-22	G-30
31	O-ring for bush		Hydrogenated nitrile rubber	1	P-21	G-25	G-30	G-40
32	Valve seal		Canned hydrogenated nitrile rubber	2	CX-8H	CX-8H	CX-8H	CX-8H
Seal kit	100H-2 (standard type)			1 set	RH1/PKS6 -032B	QH2/PKS6 -040B	QH2/PKS6 -050B	QH2/PKS6 -063B
	100H-2R (switch set)			1 set	RH1R/PKS6 -032B	QH2R/PKS6 -040B	QH2R/PKS6 -050B	QH2R/PKS6 -063B

No.	Parts name		Material	Q'ty.	Parts code		
					φ80	φ100	φ125
25	Piston seal		Hydrogenated nitrile rubber	2	OUHR 80X70X6.5	OUHR 100X90X6.5	OUHR 125X110X9.6
26	Rod seal		Hydrogenated nitrile rubber	1	IUH45X53 X5.4	IUH56X66 X6.5	IUH70X80 X6.5
27	Wiper ring		Hydrogenated nitrile rubber	1	LBH45X53 X4.5X6	LBH56X66 X5X6.5	LBH70X80 X5X6.5
28	Cover seal		Hydrogenated nitrile rubber	2	TX-80	TX-100	TX-125
29	O-ring for piston rod	(w/o switch)	Hydrogenated nitrile rubber	1	G-40	G-50	G-65
		(w/ switch)	Hydrogenated nitrile rubber	1	G-35	G-45	G-55
30	O-ring for cushion ring		Hydrogenated nitrile rubber	1	G-40	G-50	G-65
31	O-ring for bush		Hydrogenated nitrile rubber	1	G-50	G-60	G-80
32	Valve seal		Canned hydrogenated nitrile rubber	2	CX-12H	CX-12H	CX-14H
Seal kit	100H-2 (standard type)			1 set	QH2/PKS6 -080B	QH2/PKS6 -100B	QH2/PKS6 -125B
	100H-2R (switch set)			1 set	QH2R/PKS6 -080B	QH2R/PKS6 -100B	QH2R/PKS6 -125B

● Hardness of the O-ring S-12.5 is 70. For other O-rings, hardness is 90.
 Note) Nominal seal models are subject to change.

Seal kit

8 Combined seal/100H-2, 100H-2R

No.	Parts name		Material	Q'ty.	Parts code			
					φ32	φ40	φ50	φ63
25	Piston seal		Fluoric resin + Nitrile rubber	1	OE0320052 00211B	OE0400052 00211B	OE0500052 00211C	OE0630052 00211C
26	Rod seal		Hydrogenated nitrile rubber	1	IUH18X25 X5	IUH22X29 X5	IUH28X36 X5.4	IUH36X44 X5.4
27	Wiper ring		Hydrogenated nitrile rubber	1	LBH18X24 X3.5X4.5	LBH22X28 X3.5X4.5	LBH28X36 X4.5X6	LBH36X44 X4.5X6
28	Cover seal		Nitrile rubber	2	TT-32	TT-40	TT-50	TX-63
29	O-ring for piston rod	(w/o switch)	Nitrile rubber	1	S-12.5	P-18	P-22	G-30
		(w/ switch)	Nitrile rubber	1	S-12.5	P-15	P-18	G-25
30	O-ring for cushion ring		Nitrile rubber	1	S-15	S-18	P-22	G-30
31	O-ring for bush		Nitrile rubber	1	P-21	G-25	G-30	G-40
32	Valve seal		Canned hydrogenated nitrile rubber	2	CX-8H	CX-8H	CX-8H	CX-8H
Seal kit	100H-2 (standard type)			1 set	RH1/PKS8 -032B	QH2/PKS8 -040B	QH2/PKS8 -050B	QH2/PKS8 -063B
	100H-2R (switch set)			1 set	RH1R/PKS8 -032B	QH2R/PKS8 -040B	QH2R/PKS8 -050B	QH2R/PKS8 -063B

No.	Parts name		Material	Q'ty.	Parts code		
					φ80	φ100	φ125
25	Piston seal		Fluoric resin + Nitrile rubber	2	OE0800052 00211C	OE1000052 00211D	OE1250052 00211D
26	Rod seal		Hydrogenated nitrile rubber	1	IUH45X53 X5.4	IUH56X66 X6.5	IUH70X80 X6.5
27	Wiper ring		Hydrogenated nitrile rubber	1	LBH45X53 X4.5X6	LBH56X66 X5X6.5	LBH70X80 X5X6.5
28	Cover seal		Nitrile rubber	2	TX-80	TX-100	TX-125
29	O-ring for piston rod	(w/o switch)	Nitrile rubber	1	G-40	G-50	G-65
		(w/ switch)	Nitrile rubber	1	G-35	G-45	G-55
30	O-ring for cushion ring		Nitrile rubber	1	G-40	G-50	G-65
31	O-ring for bush		Nitrile rubber	1	G-50	G-60	G-80
32	Valve seal		Canned hydrogenated nitrile rubber	2	CX-12H	CX-12H	CX-14H
Seal kit	100H-2 (standard type)			1 set	QH2/PKS8 -080B	QH2/PKS8 -100B	QH2/PKS8 -125B
	100H-2R (switch set)			1 set	QH2R/PKS8 -080B	QH2R/PKS8 -100B	QH2R/PKS8 -125B

● S-12.5 is made of hydrogenated nitrile rubber with hardness of 70. Other O-rings conform to JIS B 2401-1A.
 Note) Nominal seal models are subject to change.

Seal kit

6 Cutting oil proof type/100HW-2, 100HW-2R

No.	Parts name		Material	Q'ty.	Parts code				
					φ32	φ40	φ50	φ63	φ80
25	Piston seal		Hydrogenated nitrile rubber	2	OUHR 32X25X5	OUHR 40X32X5.4	OUHR 50X42X5.4	OUHR 63X55X5.4	OUHR 80X70X6.5
26	Rod seal		Hydrogenated nitrile rubber	1	IUH18X25 X5	IUH22X29 X5	IUH28X36 X5.4	IUH36X44 X5.4	IUH45X53 X5.4
28	Cover seal		Hydrogenated nitrile rubber	2	TT-32	TT-40	TT-50	TX-63	TX-80
29	O-ring for piston rod	(w/o switch)	Hydrogenated nitrile rubber	1	S-12.5	P-18	P-22	G-30	G-40
		(w/ switch)	Hydrogenated nitrile rubber	1	P-15	P-15	P-18	G-25	G-35
30	O-ring for cushion ring		Hydrogenated nitrile rubber	1	S-15	S-18	P-22	G-30	G-40
31	O-ring for bush		Hydrogenated nitrile rubber	1	P-21	G-25	G-30	G-40	G-50
32	Valve seal		Canned hydrogenated nitrile rubber	2	CX-8H	CX-8H	CX-8H	CX-8H	CX-12H
Seal kit	100HW-2 (standard type)			1 set	RHW1/ PKS6-032B	QHW2/ PKS6-040B	QHW2/ PKS6-050B	QHW2/ PKS6-063B	QHW2/ PKS6-080B
	100HW-2R (switch set)			1 set	RHW1R/ PKS6-032B	QHW2R/ PKS6-040B	QHW2R/ PKS6-050B	QHW2R/ PKS6-063B	QHW2R/ PKS6-080B

● S-7 and S-12.5 are made of hydrogenated nitrile rubber with hardness of 70. Other O-rings conform to JIS B 2401-1A.

● The cutting oil proof type wiper ring is pressed into the bush to be incorporated into it. When replacing the wiper ring, replace it together with the bush.

Note) Nominal seal models are subject to change.